

Linear flow controls VFC Linear flow controls with actuator IFC

TECHNICAL INFORMATION

- Linear relationship between adjustment angle and flow rate
- Large control ratio of 25:1
- Actuators IC 20 or IC 40 mounted directly
- Actuator IC 30 (24 V DC) can be mounted
- For gas and air
- Low leakage rates
- High control accuracy
- EU certified



Contents

Contents	2
1 Application	3
1.1 Application examples	4
1.1.1 Lambda control	4
1.1.2 Adjusting the burner capacity	4
1.1.3 Zone control	5
1.1.4 Excess air burner	5
2 Certification	6
3 Function	7
4 Flow rate	8
4.1 Calculating the nominal size	8
4.2 k_v value	9
5 Selection	10
5.1 ProFi	10
5.2 Linear flow controls with actuator IFC	10
5.2.1 Selection table	10
5.2.2 Type code	11
5.3 Linear flow controls VFC	12
5.3.1 Selection table	12
5.3.2 Type code	13
5.4 Control characteristic	14
6 Project planning information	15
6.1 Installation	15
7 Accessories	16
7.1 Pressure switch for gas DG..C	16
7.2 Pressure test nipples	16
7.3 Seal set VA 1–2	17
7.4 Fastening set IC 20, IC 40	17
7.5 Adapter set IC 30	17
8 Technical data	18
8.1 VFC	18
8.2 IC 20	18

8.3 IC 30	19
8.4 IC 40	19
8.5 Dimensions of IFC [mm]	22
8.6 Dimensions of VFC with IC 30 [mm]	23
8.7 Dimensions of IFC [inch]	24
8.8 Dimensions of VFC with IC 30 [inch]	25
Fore more information	26

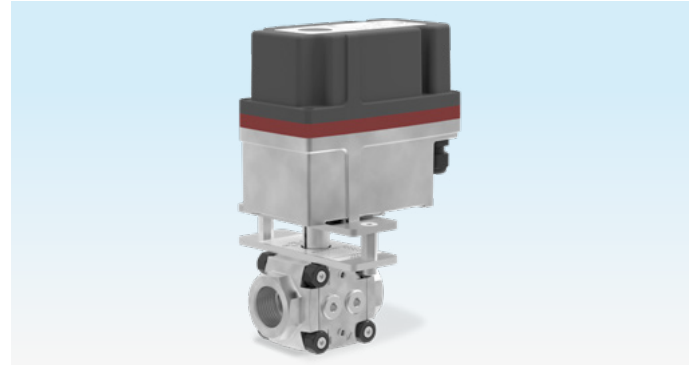
1 Application



VFC



IFC



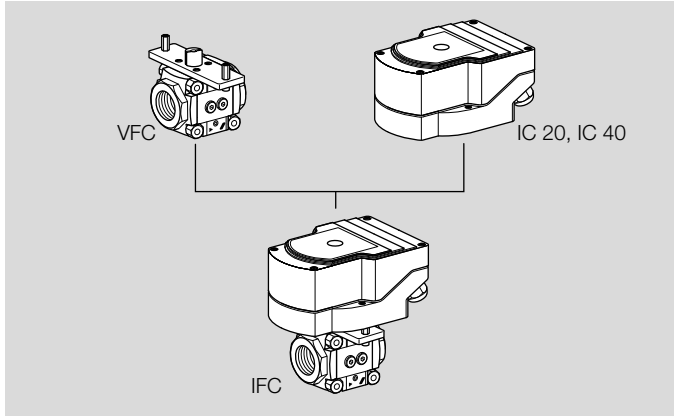
VFC with IC 30

The IFC is composed of linear flow control VFC and actuator IC 20 or IC 40.

It is designed to adjust volumes of gas and cold air on various appliances. The IFC is designed for control ratios up to 25:1 and is suitable for regulating flow rates for modulating-controlled or stage-controlled combustion processes.

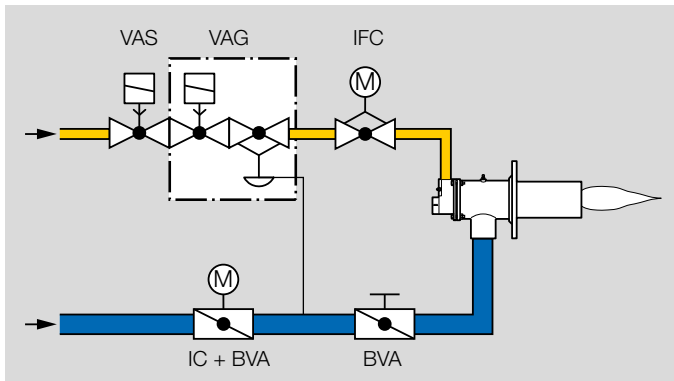
Actuator IC 20 is controlled by a modulating signal or three-point step signal. Actuator IC 40 offers additional functions. It can be adjusted using the BCSoft programming software via an optical interface. The control type (two-point signal, three-point step signal or continuous control), running times, angles of rotation and intermediate positions can thus be programmed.

Actuator IC 30 (24 V DC) can also be combined with a VFC.



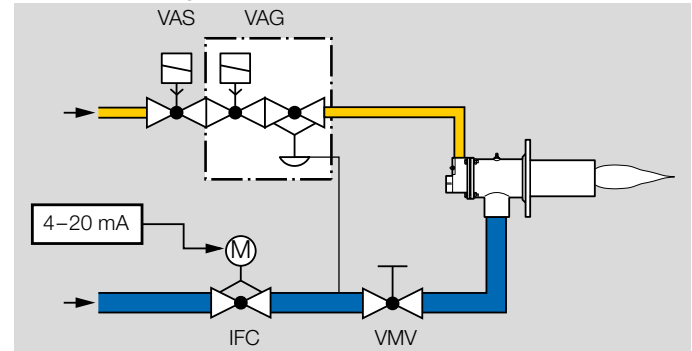
1.1 Application examples

1.1.1 Lambda control



If the burner is to be operated with different lambda values for process reasons, the IFC can be used to correct the lambda value.

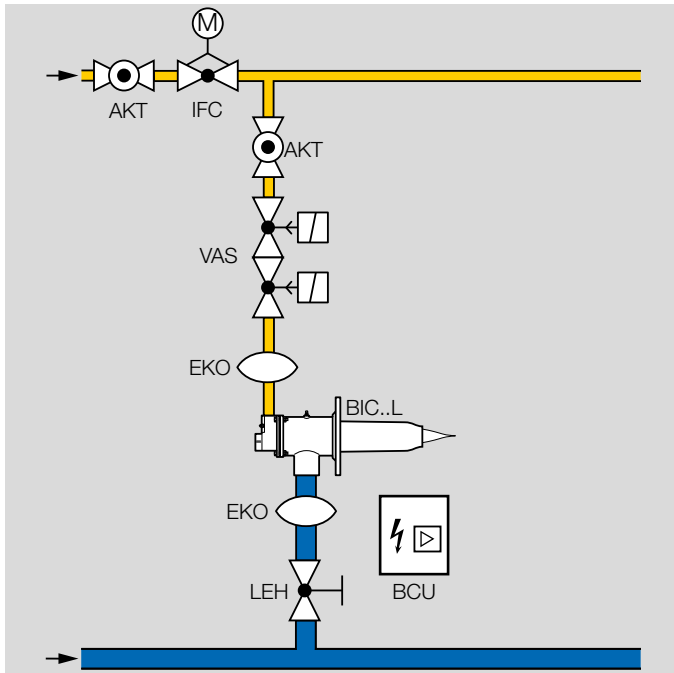
1.1.2 Adjusting the burner capacity



In pneumatic ratio control systems, the IFC with actuator IC 20..E determines the air volume for the required burner capacity.

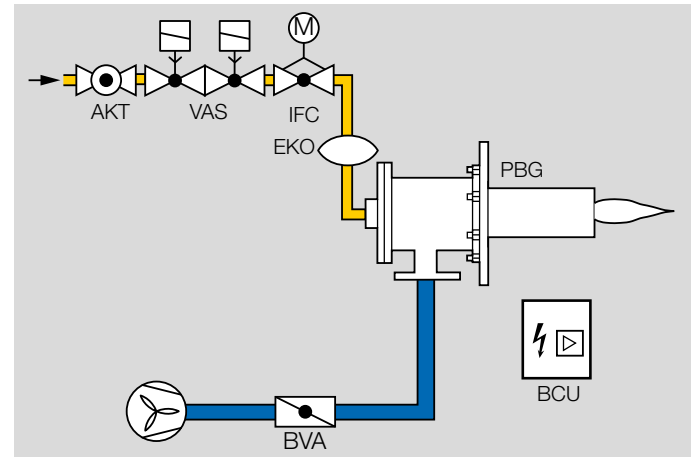
The fine-adjusting valve VMV is used to adjust the high-fire rate.

1.1.3 Zone control



After being released by the burner control unit, the gas solenoid valves open and the IFC is set to ignition position. The burner is ignited by the burner control unit BCU. The gas flow rate can be adjusted continuously using the IFC. The air flow rate remains constant.

1.1.4 Excess air burner



After initiating the burner control unit, the IFC moves to ignition position. The burner is ignited by the burner control unit BCU. The gas flow rate can be adjusted continuously using the IFC. The air flow rate remains constant.

2 Certification

Certificates for VFC – see www.docuthek.com

Certificates for IC – see www.docuthek.com

EU certified



VFC

- (EU) 2016/426 (GAR), Gas Appliances Regulation

IC 20, IC 40

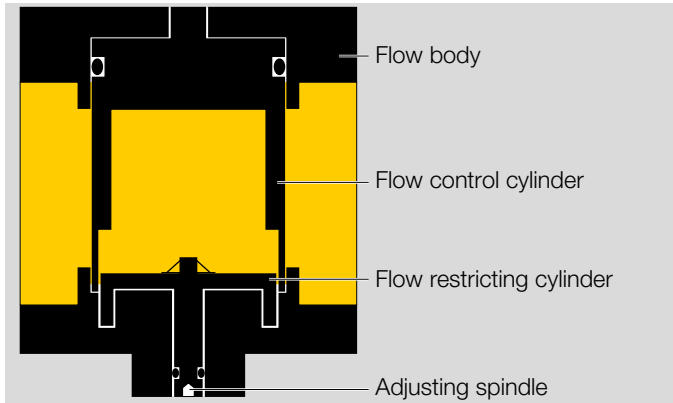
- 2014/35/EU (LVD), Low Voltage Directive
- 2014/30/EU (EMC), Electromagnetic Compatibility Directive

Eurasian Customs Union

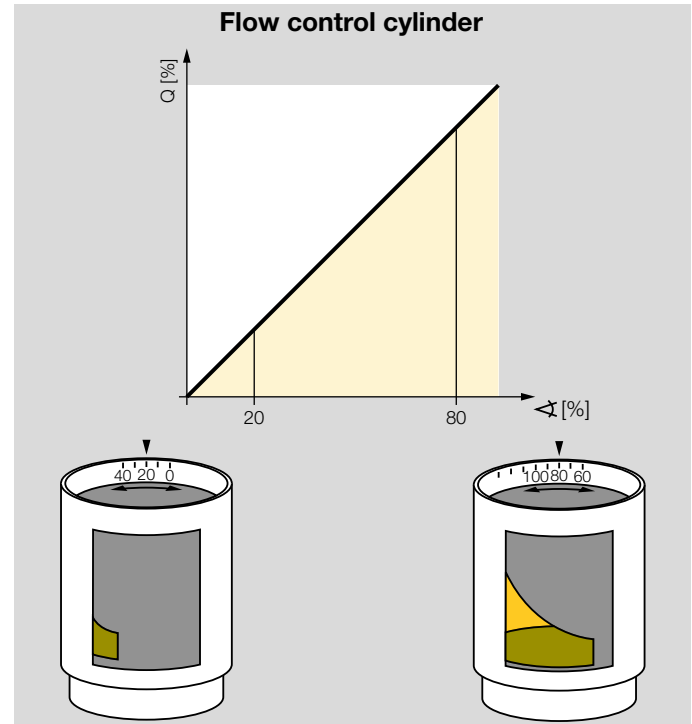


The products VFC, IFC meet the technical specifications of the Eurasian Customs Union.

3 Function



Linear flow control VFC



The linear flow control VFC uses the rotary valve principle. A flow control cylinder with an opening specially designed for linear flow is installed in the flow body. This flow control cylinder sets the desired flow rate, page 8 (Flow rate), by being turned. The maximum flow can be limited in broad ranges by means of a flow restricting cylinder. This allows optimum adaptation to the capacity required, without limiting control quality. Adjustment is carried out using an adjusting spindle.

4.2 k_v value

The size of the flow control cylinder is determined using the flow rate diagram or by calculation using the k_v value.

$Q_{(n)}$ = flow rate (standard state) [m³/h]

k_{v_v} = valve coefficient

Δp = pressure loss [bar]

p_d = outlet pressure (absolute) [bar]

ρ_n = density [kg/m³] (air 1.29/natural gas 0.83/propane 2.01/butane 2.71)

T = medium temperature (absolute) [K]

$$k_v = \frac{Q_{(n)}}{514} \cdot \sqrt{\frac{\rho_n \cdot T}{\Delta p \cdot p_d}} \quad Q_{(n)} = 514 \cdot k_v \cdot \sqrt{\frac{\Delta p \cdot p_d}{\rho_n \cdot T}}$$

$$\Delta p = \left(\frac{Q_{(n)}}{514 k_v} \right)^2 \cdot \frac{\rho_n \cdot T}{p_d}$$

Type	k_v value		
	Closed	Open, re- stricted	Open, not restricted
VFC 115/15-08	0.2	1.38	2.87
VFC 120/20-15	0.2	4.31	7.55
VFC 125/25-20	0.2	8.92	16.3
VFC 340/40-25	0.5	15.41	20.68
VFC 350/50-32	0.5	21.92	32.46
VFC 350/50-40	0.7	34.75	56.63

The flow rate can be set using the integrated flow restricting cylinder.

5 Selection

5.2 Linear flow controls with actuator IFC

5.1 ProFi

A web app for selecting the correct product is available at www.adlatus.org.

5.2.1 Selection table

Option	IFC 1	IFC 1T	IFC 3	IFC 3T
DN – inlet	–, 10, 15, 20, 25	–, 10, 15, 20, 25	–, 40, 50, 65	–, 40, 50, 65
DN – outlet	/–, /10, /15, /20, /25	/–, /10, /15, /20, /25	/–, /40, /50, /65	/–, /40, /50, /65
Pipe connection	R	N	R, F*	N
Inlet pressure	05	05	05	05
Cylinder	-08, -15, -20	-08, -15, -20	-25, -32, -40	-25, -32, -40
Accessories, right, inlet	P, M, 1, 2, 3, 4	P, M, 1, 2, 3, 4	P, M, 1, 2, 3, 4	P, M, 1, 2, 3, 4
Accessories, right, outlet	P, M, 1, 2, 3, 4	P, M, 1, 2, 3, 4	P, M, 1, 2, 3, 4	P, M, 1, 2, 3, 4
Accessories, left, inlet	P, M, 1, 2, 3, 4	P, M, 1, 2, 3, 4	P, M, 1, 2, 3, 4	P, M, 1, 2, 3, 4
Accessories, left, outlet	P, M, 1, 2, 3, 4	P, M, 1, 2, 3, 4	P, M, 1, 2, 3, 4	P, M, 1, 2, 3, 4
Actuator IC	/20, /40	/20, /40	/20, /40	/20, /40
Running time in s/90°	-07, -15, -30, -60	-07, -15, -30, -60	-07, -15, -30, -60	-07, -15, -30, -60
Mains voltage	W, Q, A	W, Q, A	W, Q, A	W, Q, A
Torque	2, 3	2, 3	2, 3	2, 3
Control	T, E, D, A	T, E, D, A	T, E, D, A	T, E, D, A
Feedback potentiometer	R10	R10	R10	R10

* Only available for IFC 350

Order example

IFC 115/15R05-15PPMM/20-60W3T

5.2.2 Type code

IFC	Linear flow control with actuator
1, 3	Sizes
T	T-product
10–50	Inlet flange nominal size
/10–/50	Outlet flange nominal size
R	Rp internal thread
F	Flange to ISO 7005
N	NPT internal thread
05	p_u max. 500 mbar
-08, -15, -20, -25, -32, -40	Cylinder
P	Accessory, right, inlet: screw plug
M	Accessory, right, inlet: pressure test point
1	Accessory, right, inlet: pressure switch DG 17/VC
2	Accessory, right, inlet: pressure switch DG 40/VC
3	Accessory, right, inlet: pressure switch DG 110/VC
4	Accessory, right, inlet: pressure switch DG 300/VC
P	Accessory, right, outlet: screw plug
M	Accessory, right, outlet: pressure test point
1	Accessory, right, outlet: pressure switch DG 17/VC
2	Accessory, right, outlet: pressure switch DG 40/VC
3	Accessory, right, outlet: pressure switch DG 110/VC
4	Accessory, right, outlet: pressure switch DG 300/VC
P, M, 1, 2, 3, 4	The same accessories can be selected for the left- or right-hand side.
/20	Actuator IC 20
/40	Actuator IC 40
07-60	Running time in s/90°

W	Mains voltage 230 V AC, 50/60 Hz
Q	Mains voltage 120 V AC, 50/60 Hz
A	Mains voltage 100–230 V AC, 50/60 Hz
2	Torque 2.5 Nm
3	Torque 3 Nm
T	Three-point step control
E	Controlled by continuous signal
D	Digital input
A	4–20 mA analogue input
R10	With 1000 Ω feedback potentiometer
P	Parameter set No.
-I	Cable glands on the inlet side (no specification: on the outlet side)

5.3 Linear flow controls VFC

5.3.1 Selection table

Option	VFC 1	VFC 1T	VFC 3	VFC 3T
DN – inlet	–, 10, 15, 20, 25	–, 10, 15, 20, 25	–, 40, 50, 65	–, 40, 50, 65
DN – outlet	/–, /10, /15, /20, /25	/–, /10, /15, /20, /25	/–, /40, /50, /65	/–, /40, /50, /65
Pipe connection	R	N	R, F*	N
Inlet pressure	05	05	05	05
Cylinder	-08, -15, -20	-08, -15, -20	-25, -32, -40	-25, -32, -40
Accessories, right, inlet	P, M, 1, 2, 3, 4	P, M, 1, 2, 3, 4	P, M, 1, 2, 3, 4	P, M, 1, 2, 3, 4
Accessories, right, outlet	P, M, 1, 2, 3, 4	P, M, 1, 2, 3, 4	P, M, 1, 2, 3, 4	P, M, 1, 2, 3, 4
Accessories, left, inlet	P, M, 1, 2, 3, 4	P, M, 1, 2, 3, 4	P, M, 1, 2, 3, 4	P, M, 1, 2, 3, 4
Accessories, left, outlet	P, M, 1, 2, 3, 4	P, M, 1, 2, 3, 4	P, M, 1, 2, 3, 4	P, M, 1, 2, 3, 4

* Only available for VFC 350

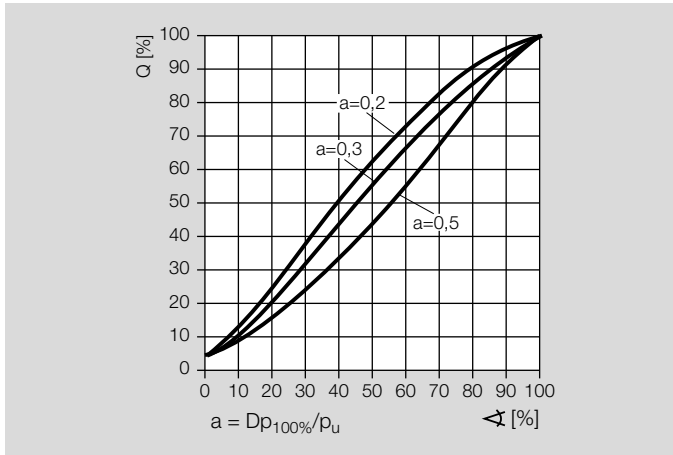
Order example

VFC 115/15R05-15PPMM

5.3.2 Type code

VFC	Linear flow control
1, 3	Sizes
T	T-product
10–65	Inlet flange nominal size
/10–/65	Outlet flange nominal size
R	Rp internal thread
F	Flange to ISO 7005
N	NPT internal thread
05-	p_u max. 500 mbar
08-40	Cylinder
P	Accessory, right, inlet: screw plug
M	Accessory, right, inlet: pressure test point
1	Accessory, right, inlet: pressure switch DG 17/VC
2	Accessory, right, inlet: pressure switch DG 40/VC
3	Accessory, right, inlet: pressure switch DG 110/VC
4	Accessory, right, inlet: pressure switch DG 300/VC
P	Accessory, right, outlet: screw plug
M	Accessory, right, outlet: pressure test point
1	Accessory, right, outlet: pressure switch DG 17/VC
2	Accessory, right, outlet: pressure switch DG 40/VC
3	Accessory, right, outlet: pressure switch DG 110/VC
4	Accessory, right, outlet: pressure switch DG 300/VC
P, M, 1, 2, 3, 4	The same accessories can be selected for the left- or right-hand side.

5.4 Control characteristic



In order for the IFC to be able to influence the flow rate, a proportion of the pressure loss Δp of the entire system has to be caused by the linear flow control. Taking into consideration the fact that the overall pressure loss Δp should be kept to a minimum, a control characteristic/valve authority $a = 0.3$ is recommended for the IFC. This means that of the overall inlet pressure, there is a 30% drop on the fully opened IFC.

Example

We want to find the IFC for gas to be used for modulating control of a gas burner:

Δp on the IFC is determined using the control characteristic a and the outlet pressure p_d .

Recommended control characteristic $a = 0.3$.

$$\Delta p = \frac{a \times p_d}{1 - a}$$

Outlet pressure: $p_d = 30$ mbar

Gas flow rate: $Q_{(n)} = 20$ m³/h

Control characteristic: $a = 0.3$.

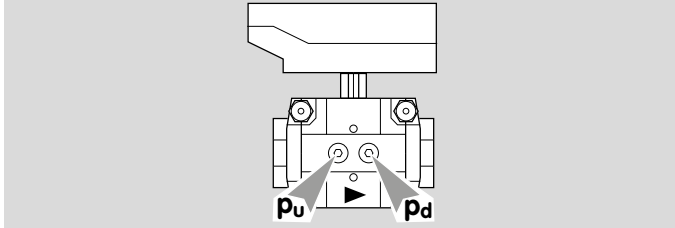
$$\Delta p = \frac{0.3 \times 30 \text{ mbar}}{1 - 0.3} = 12.9 \approx 13 \text{ mbar}$$

Select the appropriate IFC for the required flow rate $Q_{(n)} = 20$ m³/h and the calculated $\Delta p = 13$ mbar:

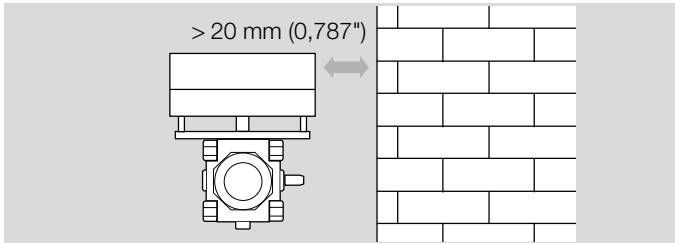
IFC 1..-15, page 8 (Flow rate).

6 Project planning information

6.1 Installation

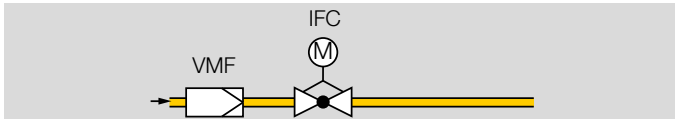


The inlet pressure p_u and the outlet pressure p_d can be measured at the pressure test points.



Actuators IC 20, IC 30, IC 40 and the linear flow control VFC must not be in contact with masonry. Minimum clearance 20 mm (0.787").

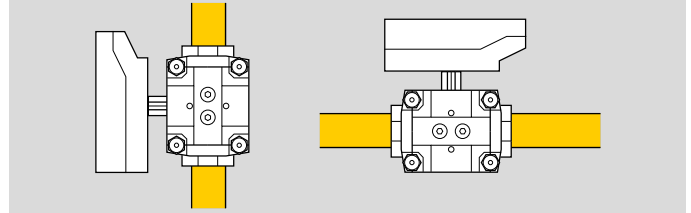
Do not store or install the unit in the open air.



Sealing material and thread cuttings must not be allowed to get into the flow body. A filter or dirt trap must be installed upstream of every system.

IC 20, IC 40 with VFC

Linear flow control VFC and actuators IC 20 and IC 40 can be supplied separately or assembled. Easy assembly with the actuator using 2 screws can be carried out either before or after installation of the linear flow control in the pipework.



Installation of IC 20, IC 40 in the vertical or horizontal position, not upside down.

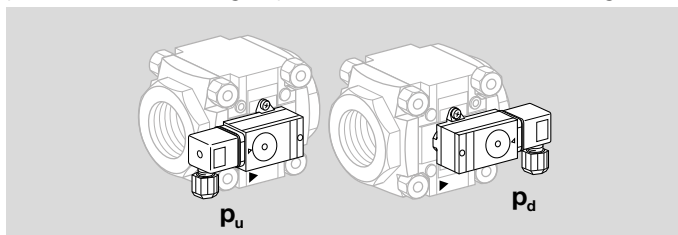
IC 30 with VFC

Linear flow control VFC and actuator IC 30 are supplied separately. IC 30 can be installed in any position.

7 Accessories

7.1 Pressure switch for gas DG..C

Monitoring the inlet pressure p_u : the electrical plug of the pressure switch for gas points towards the inlet flange.
Monitoring the outlet pressure p_d : the electrical plug of the pressure switch for gas points towards the outlet flange.

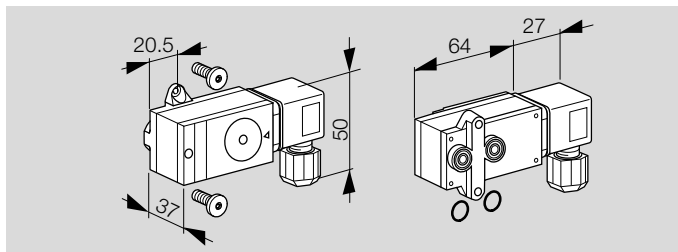


Scope of delivery:

- 1 x pressure switch for gas,
- 2 x retaining screws,
- 2 x sealing rings.

Also available with gold-plated contacts for voltages of 5 to 250 V.

DG..VC

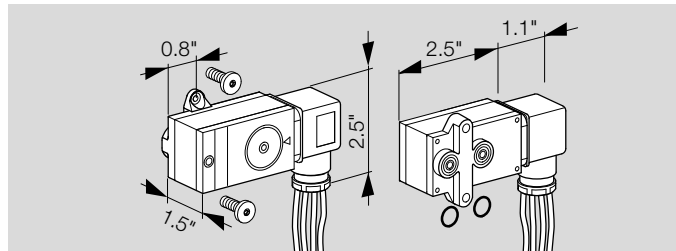


Type	Adjusting range [mbar]
DG 17VC	2 to 17

Type	Adjusting range [mbar]
DG 40VC	5 to 40
DG 110VC	30 to 110
DG 300VC	100 to 300

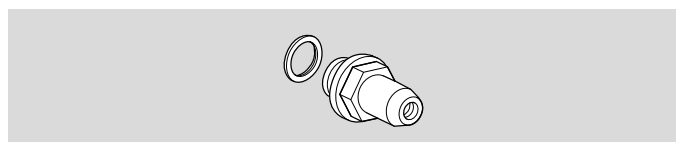
DG..VCT

With AWG 18 connection conductors



Type	Adjusting range [°WC]
DG 17VCT	0.8 to 6.8
DG 40VCT	2 to 16
DG 110VCT	12 to 44
DG 300VCT	40 to 120

7.2 Pressure test nipples



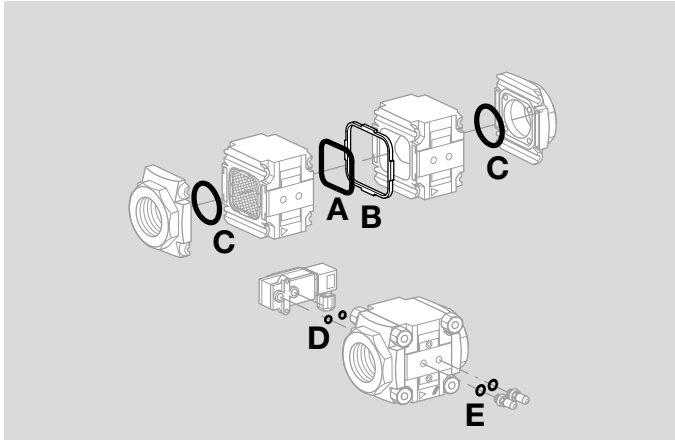
Test nipples to check the inlet pressure p_u and outlet pressure p_d .

Scope of delivery: 1 x test nipple with 1 x profiled sealing ring,

Order No. 74923390

7.3 Seal set VA 1–2

When retrofitting accessories or a second valVario control or when servicing, we recommend replacing the seals.



VA 1, Order No. 74921988,
VA 2, Order No. 74921989.

Scope of delivery:

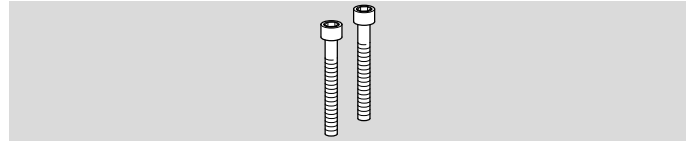
- A** 1 x double block seal,
- B** 1 x retaining frame,
- C** 2 x O-rings (flange),
- D** 2 x O-rings (pressure switch),

for test nipple/screw plug:

- E** 2 x sealing rings (flat sealing),
- 2 x profiled sealing rings.

Double block seal **A** and retaining frame **B** are not required for the VFC.

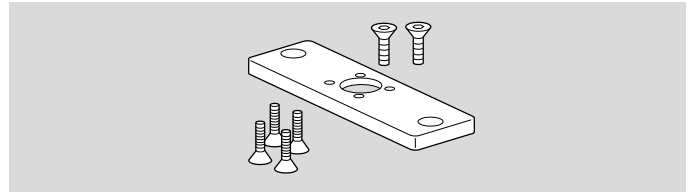
7.4 Fastening set IC 20, IC 40



To attach an IC 20 or IC 40 to a butterfly valve BV or a linear flow control VFC. The fastening set is delivered enclosed as an additional item.

IC–BVG/BVA/BVH/VFC /B, Order No. 74921082

7.5 Adapter set IC 30



To attach the IC 30 to the linear flow control VFC. The adapter set is delivered enclosed as an additional item.

IC 30/VFC /B, Order No. 74340194

8 Technical data

8.1 VFC

Gas types: natural gas, LPG (gaseous), biogas (max. 0.1 %-by-vol. H₂S) or clean air; other types of gas on request. The gas must be dry in all temperature conditions and must not contain condensate.

Control ratio: 25:1.

Leakage rate: < 2% of k_V value.

Max. inlet pressure p_{U max.}: 500 mbar (7.25 psi).

Connection flanges: Rp internal thread to ISO 7-1.

Housing material: aluminium,
control cylinder: aluminium,
flow restricting cylinder: POM, aluminium,
seal: HNBR/NBR.

Ambient temperature: -20 to +60°C (-4 to +140°F).

Storage temperature: -20 to +40°C (-4 to +104°F).

Installation position as required; in conjunction with IC in the vertical upright position or tilted up to the horizontal, not upside down.

8.2 IC 20

Angle of rotation: 0–90°, adjustable.

Holding torque = torque.

Duty cycle: 100%.

Contact rating of the cam switches:

Voltage	Min. current (resistive load)	Max. current (resistive load)
24–230 V, 50/60 Hz	1 mA	2 A

Voltage	Min. current (resistive load)	Max. current (resistive load)
24 V DC	1 mA	100 mA

Line entrance for electrical connection:

3 × M20 plastic cable glands.

Screw terminals using the elevator principles for cables up to 4 mm² (single core cables) and for cables up to 2.5 mm² with wire end ferrules.

Typical designed lifetime:

Switching current	Switching cycles	
	cos φ = 1	cos φ = 0.3
1 mA	1,000,000	–
22 mA	–	1,000,000
100 mA	1,000,000	–
2 A	100,000	–

1) Typical contactor application (230 V, 50/60 Hz, 22 mA, cos φ = 0.3)

Three-point step signal to terminals 1 and 2: minimum pulse duration: 100 ms,

minimum pause between 2 pulses: 100 ms.

Enclosure: IP 65, safety class: I.

Ambient temperature: -20 to +60°C, no condensation permitted.

Storage temperature: -20 to +40°C.

Mains voltage:

120 V AC, -15/+10%, 50/60 Hz,

230 V AC, -15/+10%, 50/60 Hz.

Type	Running time [s/90°]		Torque [Nm]	
	50 Hz	60 Hz	50 Hz	60 Hz
IC 20-07	7.5	6.25	2.5	2
IC 20-15	15	12.5	3	3
IC 20-30	30	25	3	3

Type	Running time [s/90°]		Torque [Nm]	
	50 Hz	60 Hz	50 Hz	60 Hz
IC 20-60	60	50	3	3

Power consumption: 4.9 VA at 50 Hz, 5.8 VA at 60 Hz.

Resistance of the feedback potentiometer: 1 k Ω , max. 1 W.

IC 20..E

Power consumption:

terminals 1, 2 and 5:

4.9 VA at 50 Hz, 5.8 VA at 60 Hz,

terminal 3:

8.4 VA at 50 Hz, 9.5 VA at 60 Hz,

in total not exceeding:

8.4 VA at 50 Hz, 9.5 VA at 60 Hz.

Position feedback output:

4–20 mA, electrically isolated, max. 500 Ω load impedance.

The output is always active when supply voltage is applied to terminals 3 and 4.

Input: electrically isolated,

0 (4)–20 mA: load impedance switchable between 50 Ω and 250 Ω ,

0–10 V: 100 k Ω input resistance.

8.3 IC 30

Angle of rotation: 0–90°, adjustable.

Holding torque = torque.

Mains voltage: 24 V DC, \pm 20%.

Line entrance for electrical connection:

3 x M16 plastic cable glands (enclosed).

Screw terminals using the elevator principles for cables up to 2.5 mm² with wire end ferrules.

The running time changes depending on the load. It refers to the torque, see type label.

Contact rating of the cam switches:

Voltage	Min. current (resistive load)	Max. current (resistive load)
24–230 V, 50/60 Hz	1 mA	2 A
24 V DC	1 mA	100 mA

Minimum pulse duration: 100 ms.

Minimum pause between 2 pulses: 100 ms.

Enclosure: IP 65.

Duty cycle: 100%.

Power consumption: 4 W, when switching on: briefly 8 W.

Ambient temperature:

-15 to +60°C, no condensation permitted.

Storage temperature: -15 to +40°C.

Resistance of the feedback potentiometer:

1 k Ω , < 50 V,

recommended wiper current: 0.2 μ A.

8.4 IC 40

Purpose of control: operating control, electric actuator.

Mains voltage:

100–230 V AC, \pm 10%, 50/60 Hz; the actuator automatically adjusts to the respective mains voltage.

Power consumption: 10.5 W/21 VA at 230 V AC, 9 W/16.5 VA at 120 V AC.

Switch-on peak current: max. 10 A for max. 5 ms.

Technical data

Screw terminals using the elevator principles for cables up to 4 mm² (single core cables) and for cables up to 2.5 mm² with wire end ferrules.

Angle of rotation: 0–90°, setting accuracy < 0.05°.

Holding torque = torque as long as mains voltage is applied.

Independently mounted control.

Pollution degree: 3 (outside of enclosure)/
2 (within enclosure).

Rated impulse voltage: 4000 V.

Impedance protected motor.

2 digital inputs:

24 V DC or 100–230 V AC each.

Current requirement of digital inputs:

24 V DC: approx. 5 mA eff,

230 V AC: approx. 3 mA eff.

1 analogue input (optional):

4–20 mA (load impedance switchable from 50 Ω to 250 Ω).

Potentiometer (optional): 1 kΩ ± 20%.

Linearity tolerance: ± 2%, max. capacity: 0.25 W, conductive plastic element.

Tap wiper at high resistance.

2 digital outputs:

Signalling contacts designed as relay change-over contacts.

Contact current of digital outputs: min. 5 mA (resistive) and max. 2 A (resistive).

Enclosure:

IP 64, in conjunction with BVH: IP 65,

Nema 2, in conjunction with BVG, BVA or

BVH: Nema 3.

Safety class: I.

Duty cycle: 100%.

Type of action to EN 60730: type 1C.

Software class A.

Overvoltage category III.

Electrical connection: line entrance: 3 x M20 plastic cable glands.

Ambient temperature:

-20 to +60°C, no condensation permitted.

Storage temperature: -20 to +40°C.

Max. installation altitude: 2000 m AMSL.

Running times and torques

Type	Running time [s/90°]		Torque [Nm]	
	50 Hz	60 Hz	50 Hz	60 Hz
IC 40	4.5–76.5	4.5–76.5	2.5	2.5
IC 40S	4.5–76.5	4.5–76.5	3	3

On the IC 40, the running time and torque are independent of the mains frequency. The running time can be freely programmed between the limits of 4.5 and 76.5 s.

The following specifications on the designed lifetime of the actuator relate to typical applications with BVA, BVAF, BVG, BVGF, BVH, BVHS and VFC.

Mechanical switching cycles

(0°–90°–0°/0%–100%–0%):

IC 40 with VFC: 5 million cycles

IC 40 with BVA/BVG: 5 million cycles

IC 40 with BVAF/BVGF: 5 million cycles

IC 40 with BVH/BVHx: 3 million cycles

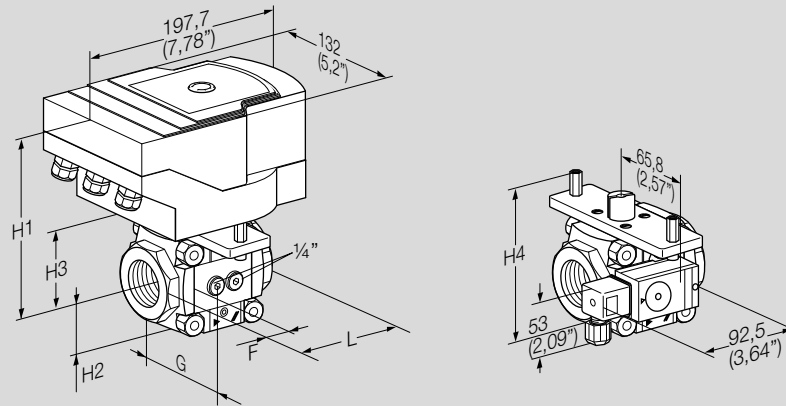
Typical number of operating cycles of the digital outputs

RO 1 and RO 2:

Technical data

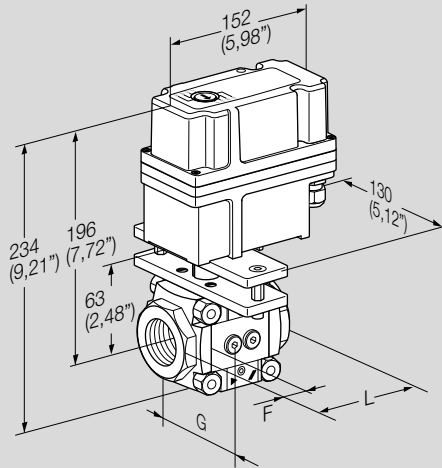
Switching current	Switching cycles
5 mA	4,000,000
2 A	250,000

8.5 Dimensions of IFC [mm]



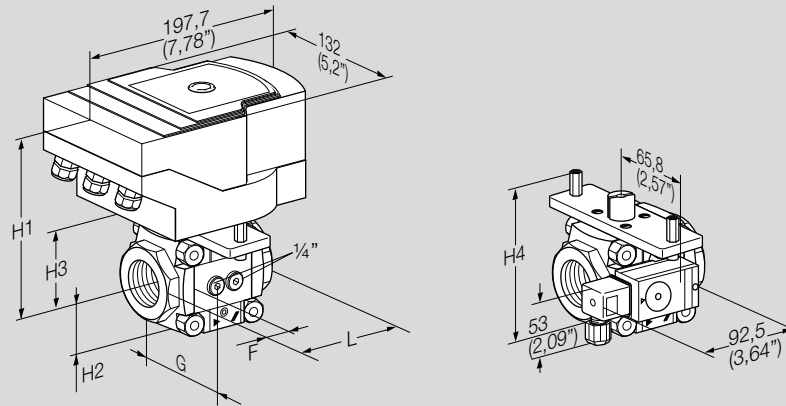
Type	Connection		L mm	F mm	G mm	H1 mm	H2 mm	H3 mm	H4 mm	Weight kg
	Rp	DN								
IFC 110	3/8	10	75	15	67.3	155	37.5	58	95.5	2.65
IFC 115	1/2	15	75	15	67.3	155	37.5	58	95.5	2.60
IFC 120	3/4	20	91	23	67.3	155	37.5	58	95.5	2.75
IFC 125	1	25	91	23	67.3	155	37.5	58	95.5	2.65
IFC 340	1½	40	154.5	36	113.3	181	59	84	143	4.92
IFC 350	2	50	154.5	36	113.3	181	59	84	143	4.75
IFC 365	2½	65	154.5	36	113.3	181	59	84	143	4.45
IFC 350..F	–	50	230.5	74	113.3	181	59	84	143	6.81

8.6 Dimensions of VFC with IC 30 [mm]



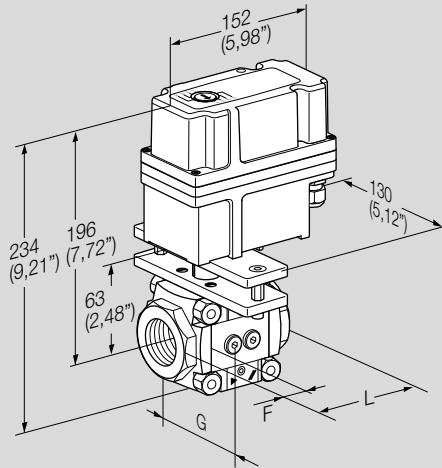
Type	Connection		L mm	F mm	G mm
	Rp	DN			
VFC 110	3/8	10	75	15	67.3
VFC 115	1/2	15	75	15	67.3
VFC 120	3/4	20	91	23	67.3
VFC 125	1	25	91	23	67.3
VFC 340	1½	40	154.5	36	113.3
VFC 350	2	50	154.5	36	113.3
VFC 365	2½	65	154.5	36	113.3
VFC 350..F	–	50	230.5	74	113.3

8.7 Dimensions of IFC [inch]



Type	Connection		L inch	F inch	G inch	H1 inch	H2 inch	H3 inch	H4 inch	Weight lbs
	NPT	DN								
IFC 1T10	3/8	10	2.95	0.59	2.65	6.1	1.48	2.28	3.76	5.83
IFC 1T15	1/2	15	2.95	0.59	2.65	6.1	1.48	2.28	3.76	5.72
IFC 1T20	3/4	20	3.58	0.91	2.65	6.1	1.48	2.28	3.76	6.05
IFC 1T25	1	25	3.58	0.91	2.65	6.1	1.48	2.28	3.76	5.83
IFC 3T40	1½	40	6.08	1.42	4.46	7.13	2.32	3.31	5.63	10.8
IFC 3T50	2	50	6.08	1.42	4.46	7.13	2.32	3.31	5.63	10.5
IFC 3T65	2½	65	6.08	1.42	4.46	7.13	2.32	3.31	5.63	9.79

8.8 Dimensions of VFC with IC 30 [inch]



Type	Connection		L inch	F inch	G inch
	NPT	DN			
VFC 1T10	3/8	10	2.95	0.59	2.65
VFC 1T15	1/2	15	2.95	0.59	2.65
VFC 1T20	3/4	20	3.58	0.91	2.65
VFC 1T25	1	25	3.58	0.91	2.65
VFC 3T40	1½	40	6.08	1.42	4.46
VFC 3T50	2	50	6.08	1.42	4.46
VFC 3T65	2½	65	6.08	1.42	4.46

Fore more information

The Honeywell Thermal Solutions family of products includes Honeywell Combustion Safety, Eclipse, Exothermics, Hauck, Kromschroder and Maxon. To learn more about our products, visit ThermalSolutions.honeywell.com or contact your Honeywell Sales Engineer.

Elster GmbH
Strotheweg 1, D-49504 Lotte
T +49 541 1214-0
hts.lotte@honeywell.com
www.kromschroeder.com

© 2020 Elster GmbH

We reserve the right to make technical modifications in the interests of progress.

