



DYD

岱鼎燃烧

产品手册

Product Manual

DISTRIBUTED BY



บริษัท บุญเยี่ยมและสหาย จำกัด
BOONYIUM AND ASSOCIATES LIMITED
1314-1322 ถนนศรีนครินทร์ แขวงอ่อนนุช เขตสวนหลวง กรุงเทพฯ 10250
1314-1322 Srinakarin Road, On Nut, Suanluang, Bangkok 10250, THAILAND
Tel. 02 322 1878(Auto Line), 02 322 4330-3 Fax. 02 322 4328-8
Burner Section : 02 322 9305-6 Fax. 02 322 9360
<http://www.boonyium.com> Email:burner@boonyium.com

让燃烧完美而简约
Make The Combustion Perfect And Simple

ENTERPRISE INTRODUCTION

企业介绍

DYDTEC with its motto of faith, challenge and passion specializes in supplying the high-efficiency burners, safety combustion system, air heater, heat exchanger, components and china sourcing service, operation and maintenance service and customized solutions.

DYDTEC is market leader in combustion field in China.

DYDTEC team are familiar with applications as automotive, environmental protection, industrial drying etc., from low temperature to high temperature solutions.

DYDTEC team are familiar with the European standard EN746 and American standard NFPA86.

DYDTEC, as a leader in the energy-saving combustion equipment industry, cover diversification applications with in-depth integration with customer applications, and is strongly committed to the development of future combustion system industry

DYDTEC has successfully exported products to America, Mexico, Europe, Japan, Australia and other regions.

DYDTEC employees and executives give our customers and partners a promise in harmony that our best service, trust, will be also provided.

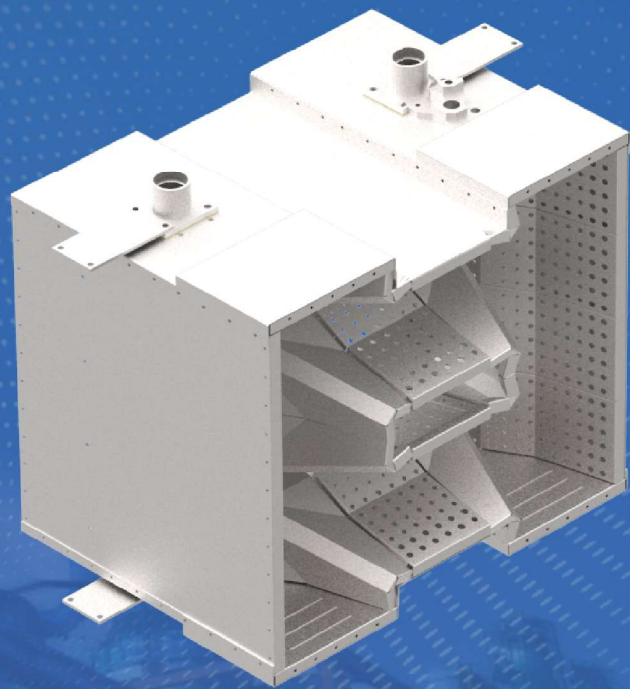
DYDTEC team are dedicated to be excellent, honest, diligent, responsible.



IL-HC BURNER

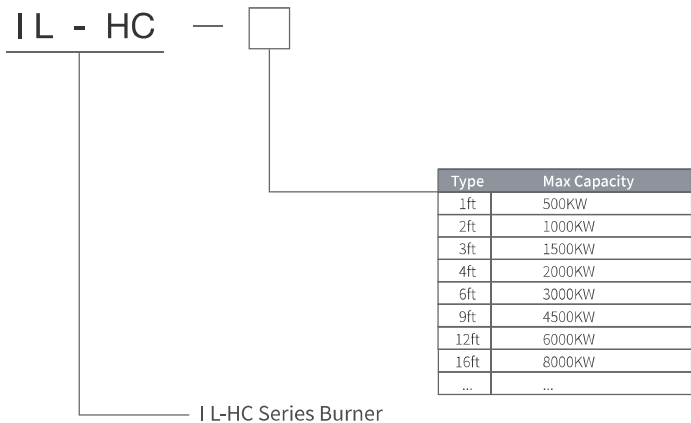
IL-HC burner is a kind of direct-fired drying and heating burner designed according to EN746-2. The IL-HC burner is installed in the air duct and can generate a wide flame-heating area in seconds. It can be applied to all kinds of low and medium temperature heating scenarios, such as air heating oven, industrial drying oven and air heater, etc., especially for the case where the heating space is limited.

- Designed for direct-fired air heating and medium/ low temperature drying;
- Low CO, NOx emissions;
- Modular design for capacity (500kW/ft);
- Short flame length (max. length: 900mm);
- Meet ANSI/CSA standards;
- Regulation ratio 30:1;
- No combustion fan required.



IL-HC

Type Definition



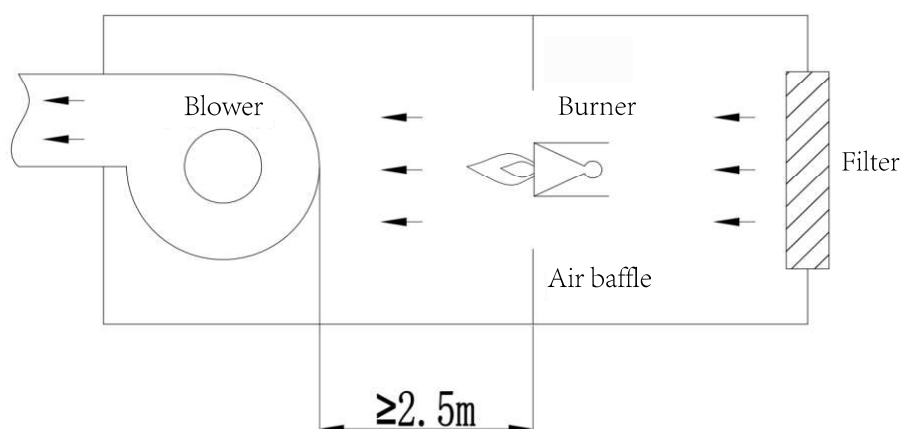
Parameters

Basic Parameters		
Item	Value	Remarks
Rated capacity (kW)	500 ~ 8000	Please contact us for other capacity.
Regulation ratio	30 : 1	
Inlet pressure of pipeline valve (kPa)	20~30	
Oxygen content in combustion air	21%	Contact us when the burner is not used in standard condition.
Max. upstream temperature-cast aluminum (°C)	245	
Max. upstream temperature-cast iron (°C)	400	
Max. downstream temperature-cast aluminum (°C)	400	
Max. downstream temperature-cast iron (°C)	700	
Flame length (mm)	900	
Optimal air speed (m/s)	10 ~ 20	

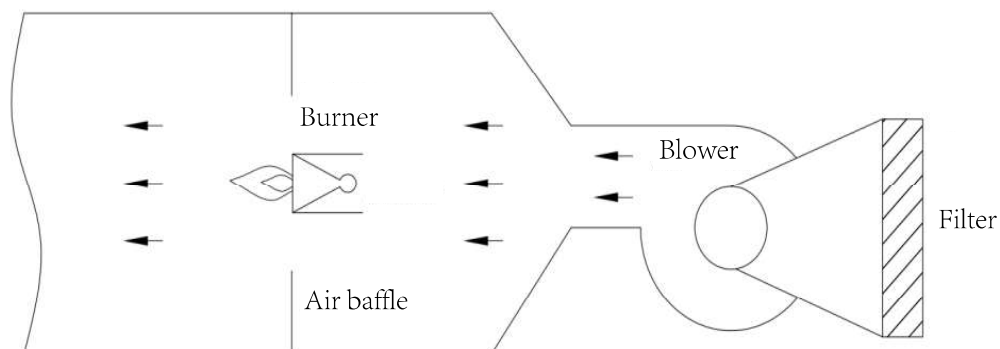
Application

Typical applications include grain drying, chemical drying, baking and curing, metal parts forming and other applications where all fresh air is heated below 700 °C. In the above applications, the burners can be properly combined according to the on-site working conditions. The typical combination modes are as follows:

Induced Draught System



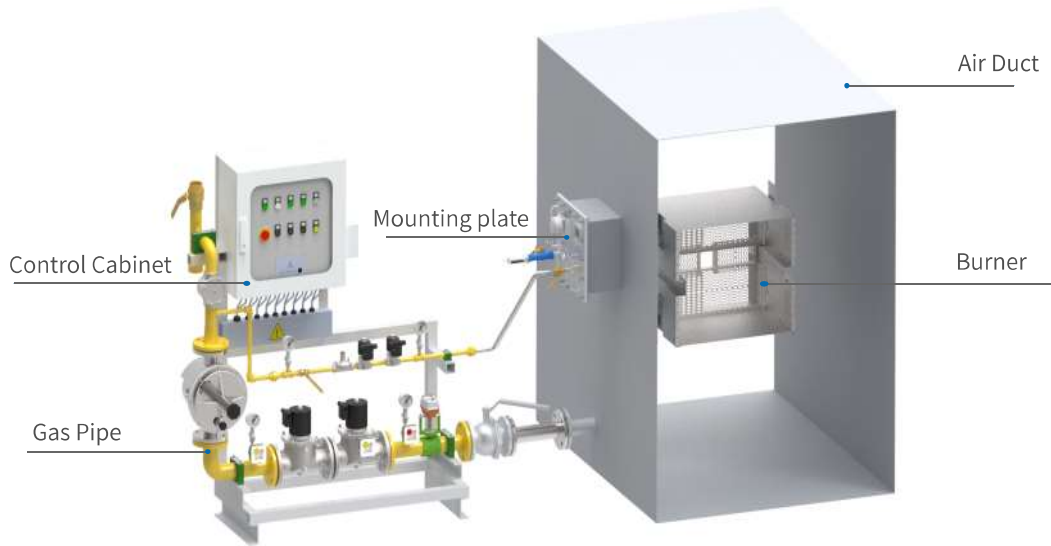
Air-blast System



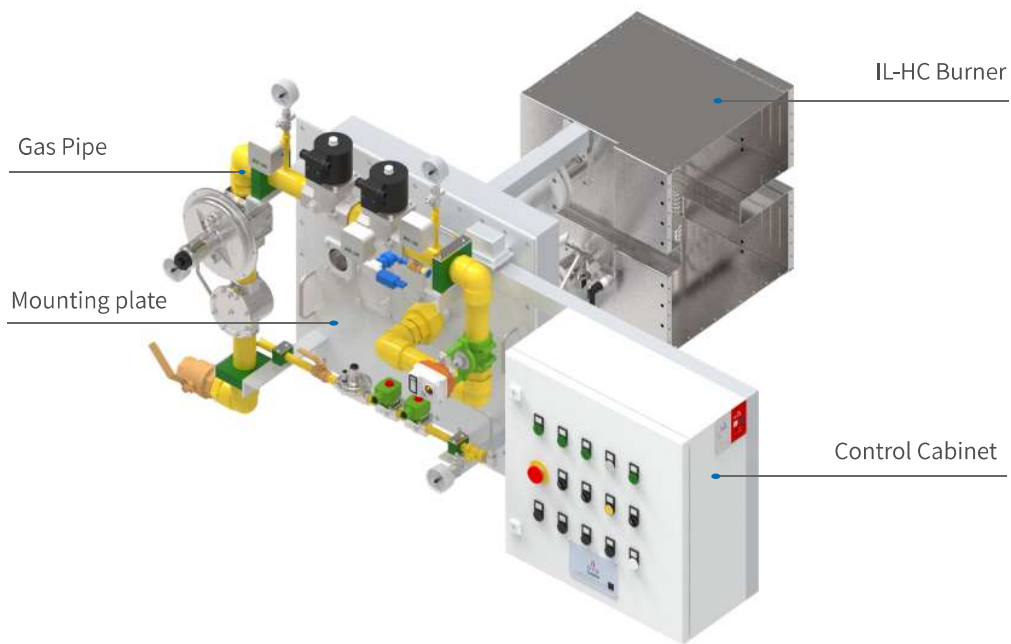
Notes

1. The oxygen content of the heated air is 21%;
2. Fluctuation range of heated air flow $\pm 15\%$;
3. The rated power is 500kW/ft.

Typical Applications

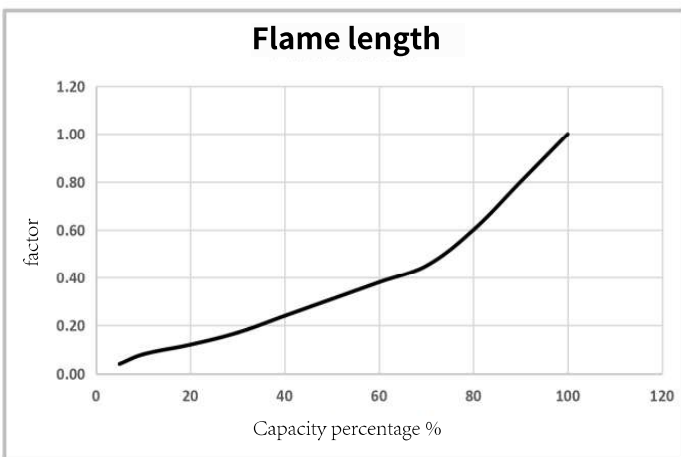


Integrated Applications

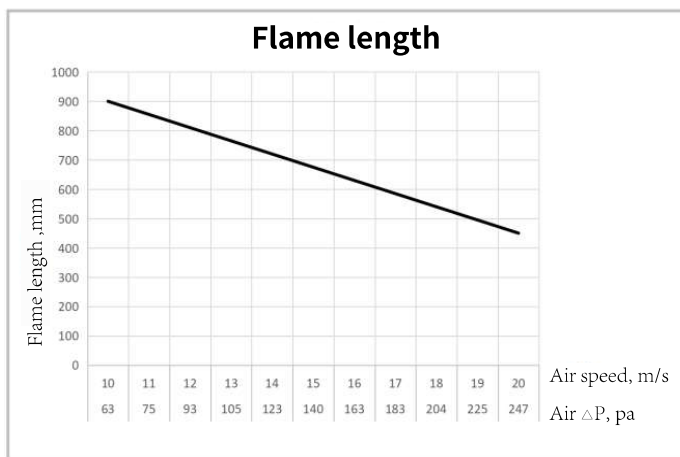


Data Curve

Capacity & Flame Length



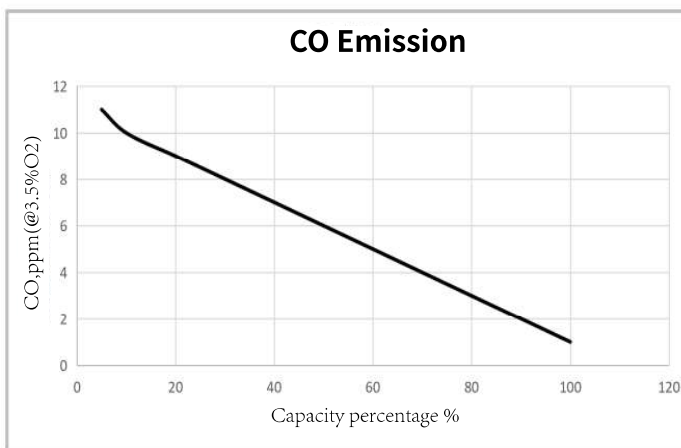
Air pressure drop & Air speed & Flame length



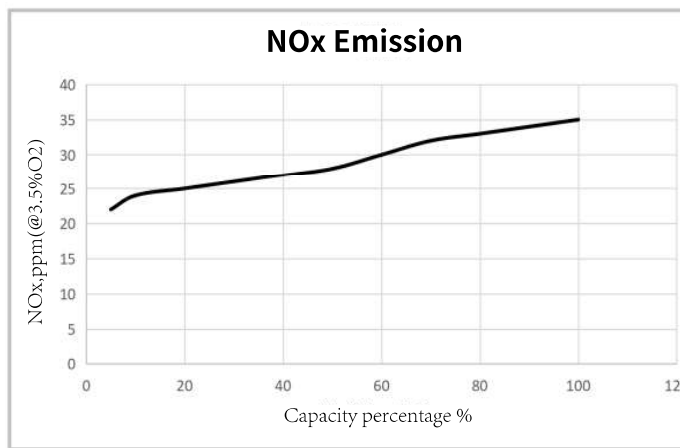
10	11	12	13	14	15	16	17	18	19	20
63	75	93	105	123	140	163	183	204	225	247

Air speed, m/s
Air ΔP, pa

Capacity & CO Emission (@15% O₂ & 2 mbar combustion air)

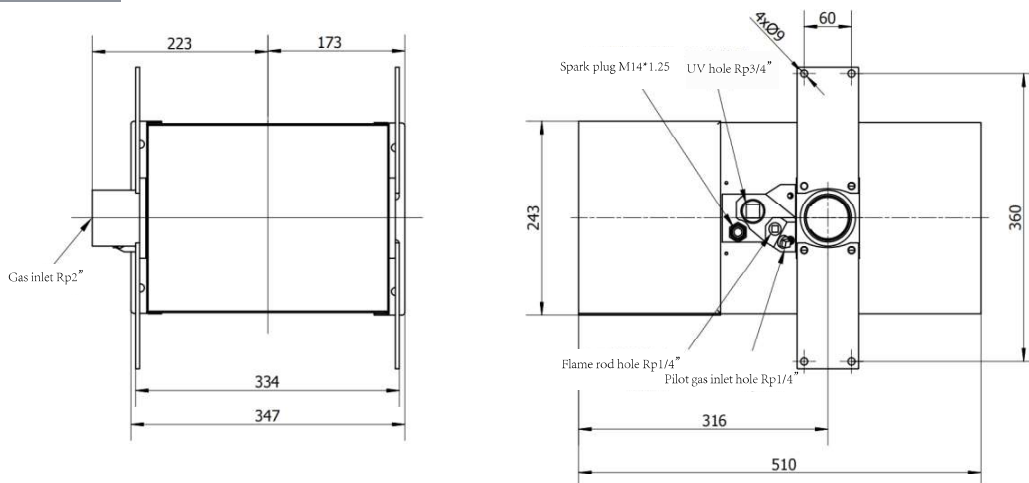


Capacity & NO_x Emission (@15% O₂ & 2 mbar combustion air)

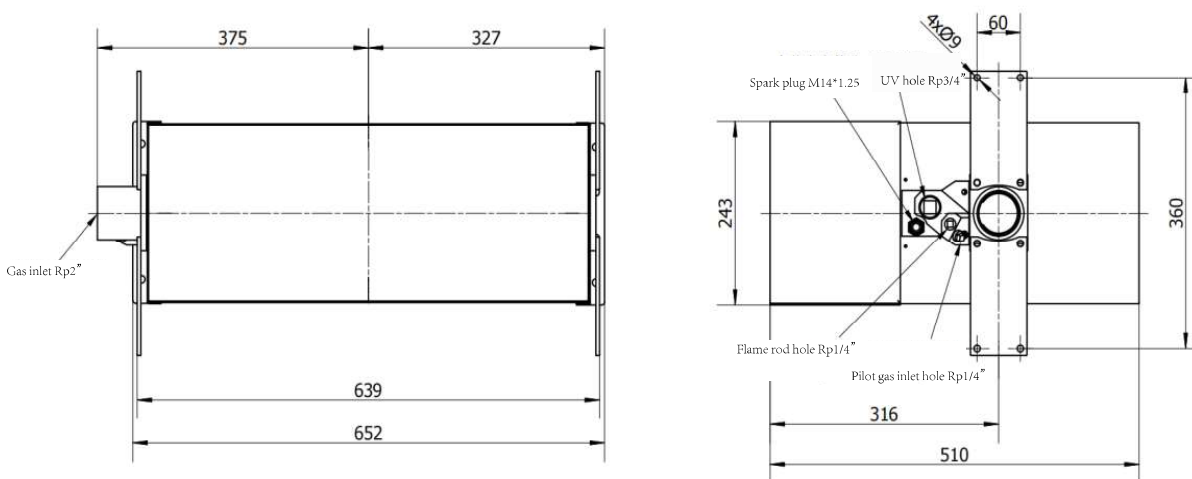


Dimension

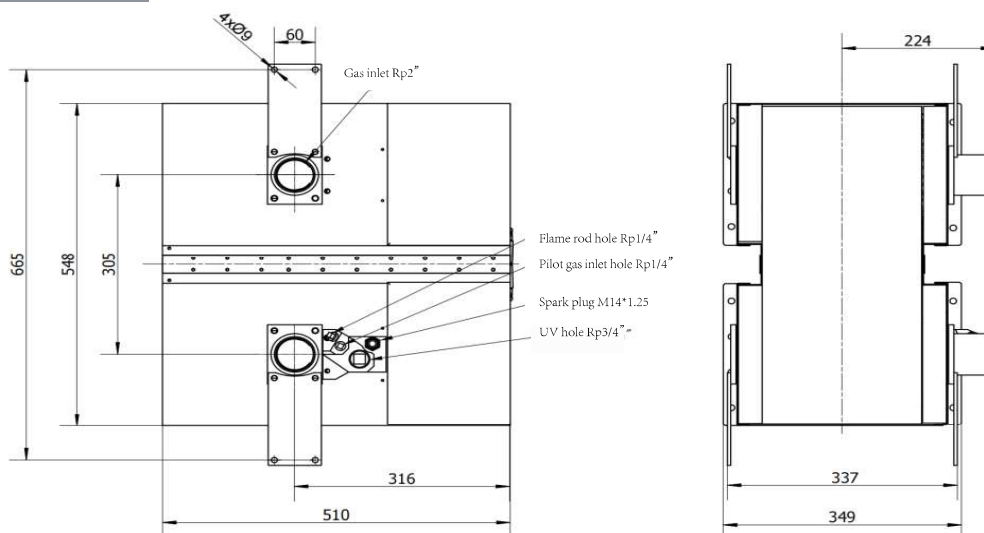
IL-HC-1ft



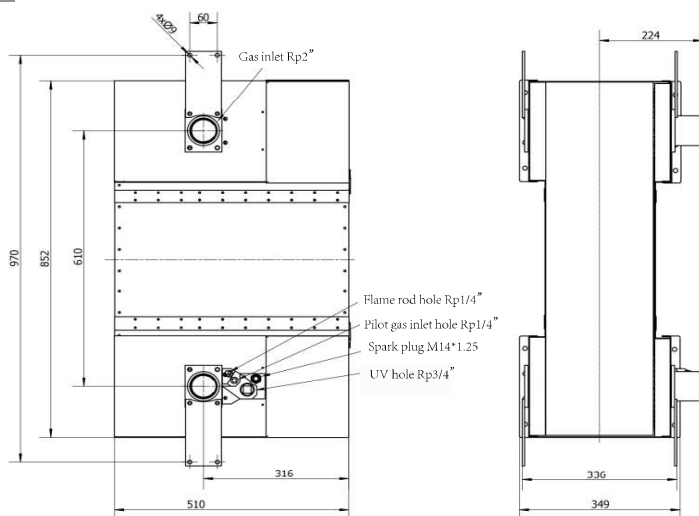
IL-HC-2ft



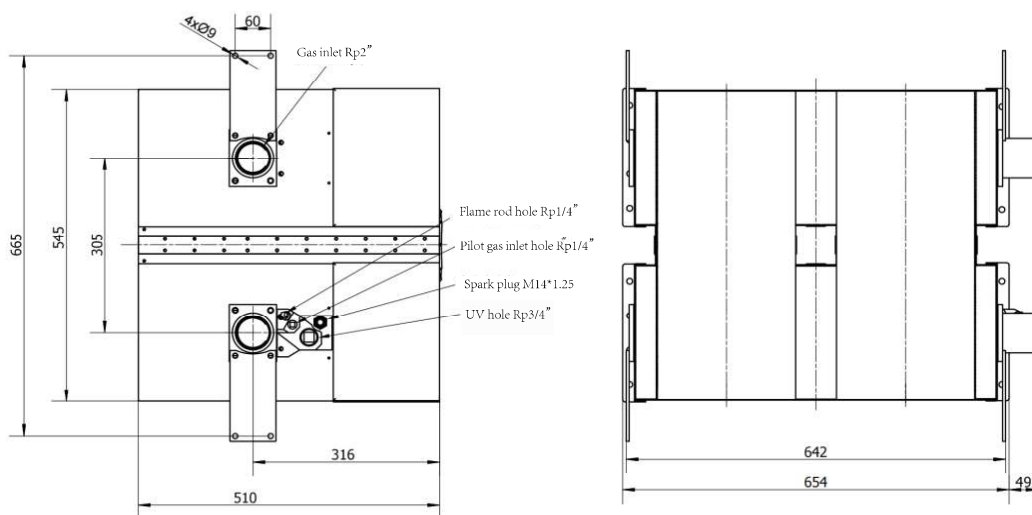
IL-HC-3ft



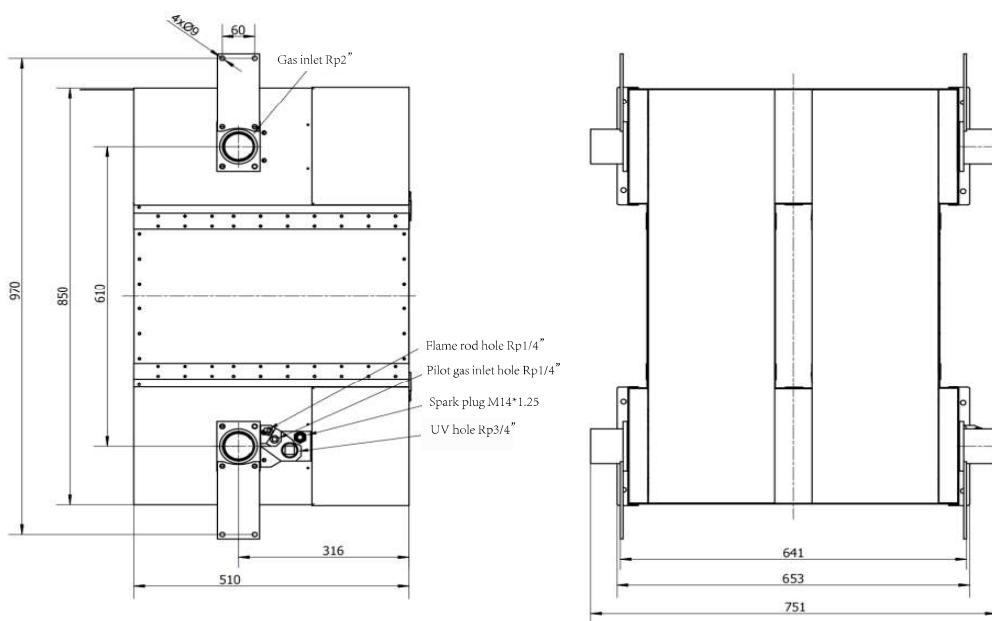
IL-HC-4ft



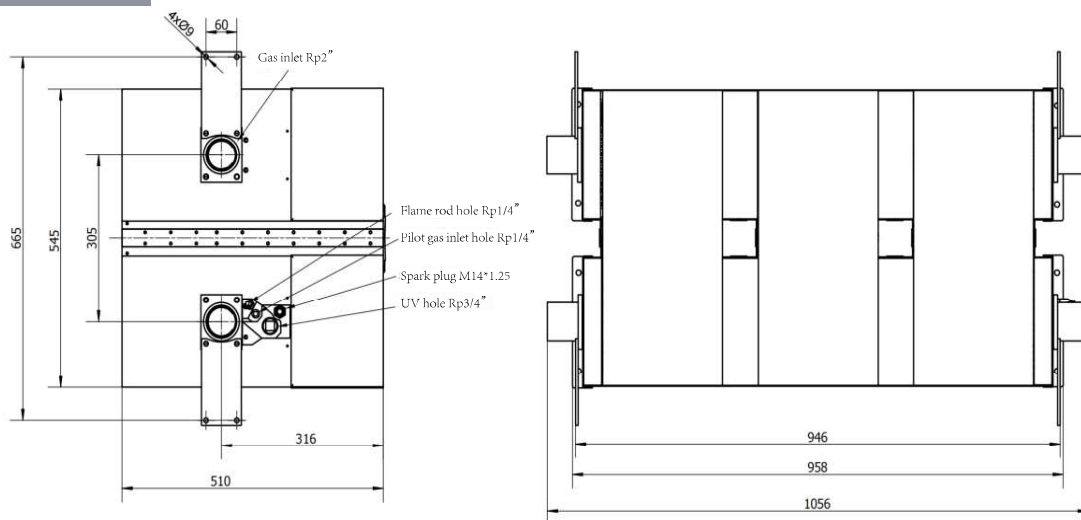
IL-HC-6ft



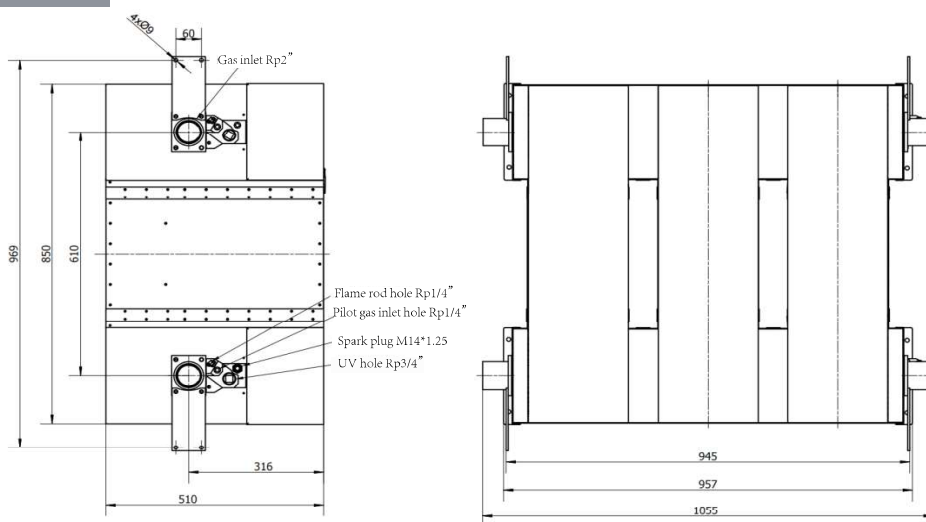
IL-HC-8ft



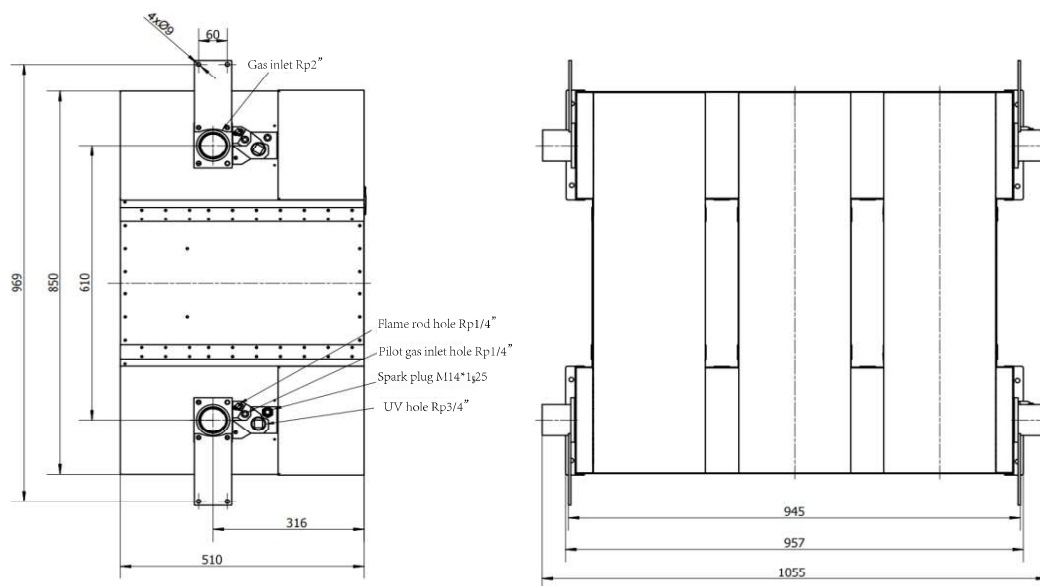
IL-HC-9ft



IL-HC-12ft



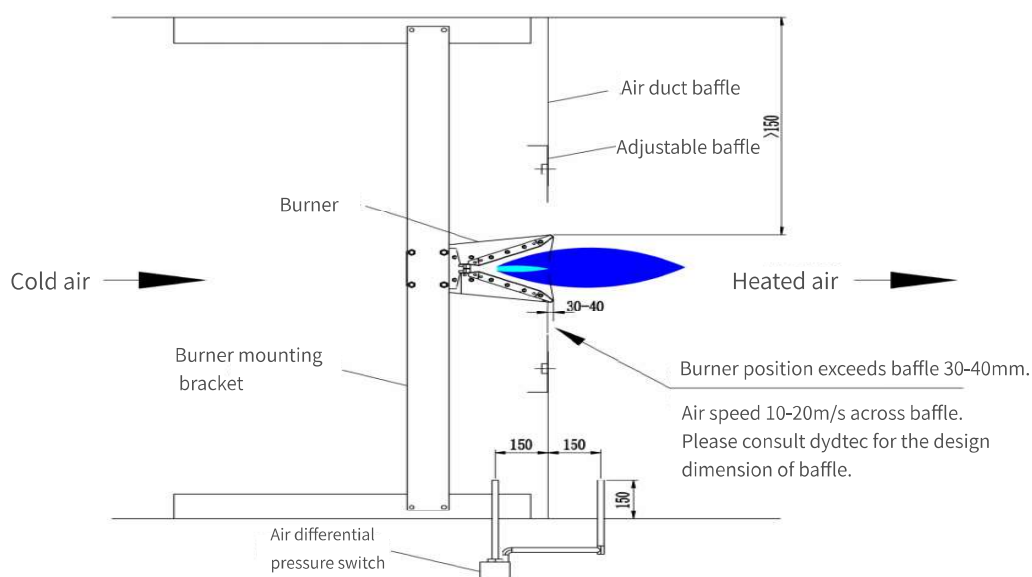
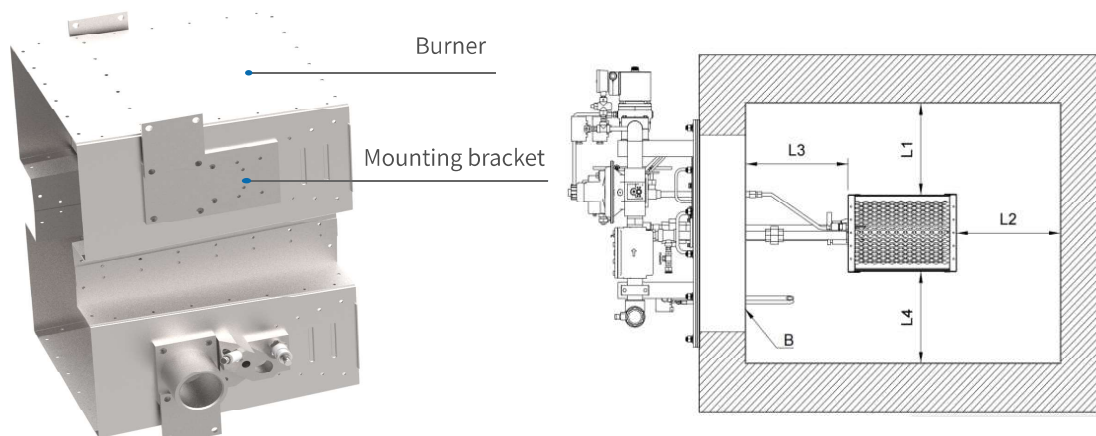
IL-HC-16ft



Installation Guide

Burner Fixing

The IL-HC burner can be installed flexibly. The burner body can be installed horizontally, vertically upwards or vertically downwards in the flame direction according to the needs of on-site working conditions.

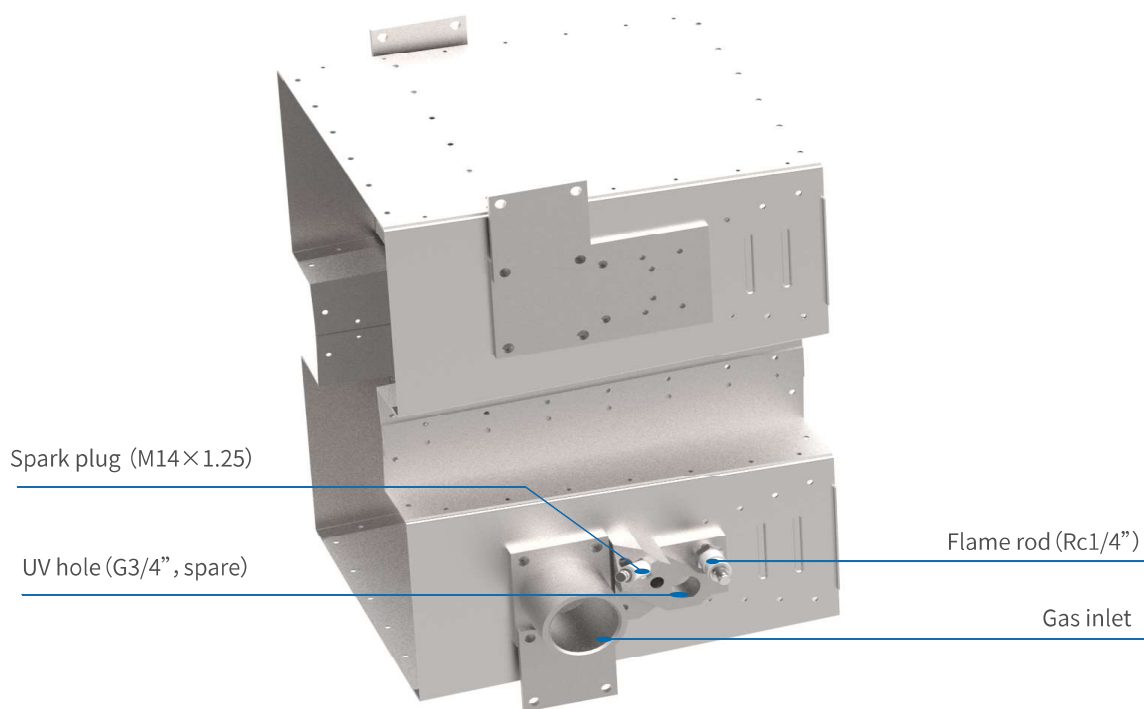


Notes



1. Burner position fixed exceeds baffle 30-40mm.;
2. Air speed 10-20m/s across baffle;
3. The distance between the burner edge and the inner wall of the air duct in all directions shall not be less than 150mm;
4. Position B shall be sealed with 304 stainless steel plate after thermal insulation cotton is filled;
5. After the first ignition, please check the fiber shrinkage around the furnace and burner, and refill the gap with fiber refractory to ensure the sealing between the inner and outer walls of the furnace.

Accessories

Display Picture



Key Accessories

NO.	Accessories	Type	Application	Display Pictures
1	flame rod	RP-FE-1/4-250-5	All IL-HC series	
2	spark plug	RP-SE-L	All IL-HC series, and the upstream temperature of the burner $\leq 100\text{ }^{\circ}\text{C}$	

DISTRIBUTED BY



บริษัท บุญเยี่ยมและสหาย จำกัด
BOONYIUM AND ASSOCIATES LIMITED
1314-1322 ถนนศรีนครินทร์ แขวงอ่อนนุช เขตสวนหลวง กรุงเทพฯ 10250
1314-1322 Srinakarin Road, On Nut, Suanluang, Bangkok 10250, THAILAND
Tel. 02 322 1676 (Auto Line), 02 322 4330-3 Fax. 02 322 4326-6
Burner Section : 02 322 9365-8 Fax. 02 322 9360
http://www.boonyium.com Email: burner@boonyium.com

Shanghai DYDTEC Industrial Equipment Co., Ltd

Address: Building 1, No. 111 Zhiye Road Pudong District, Shanghai, China

TEL: +86-21-58814568

E-mail: info@dydtec.com

Web: www.dydtec.com

