

# SIAM FITTING

COMPANY LIMITED

(BRONZE DIVISION)

MANUFACTURER

AND EXPORTER

BRONZE FITTINGS & MALLEABLE IRON FITTINGS

**TRADE MARK**

“SF”

- Cast bronze/lead free fittings 125/150/250
- Cast bronze/lead free flanges & OEM products

**บริษัท สยามฟิตติ้งส์ จำกัด (แพนกบรอนซ์)**

100/1 หมู่2 ถนนเศรษฐกิจ1 ตำบลอ้อมน้อย อำเภอกระทุ่มแบน จังหวัดสมุทรสาคร 74130

100/1 Moo. 2, Settakit 1 Rd., T.Omnoi, A.Krathumban, Samutsakorn 74130, Thailand.

Tel. : +662 810 0832-5, +662 429 1029, Fax. : +662 429 1538

E-mail : bronzes@ gmail.com, sale@sf.co.th

Website : [www.siamfittings.th.com](http://www.siamfittings.th.com), [siamfittingsbronze.brandexdirectory.com](http://siamfittingsbronze.brandexdirectory.com)



Certified to  
NSF/ ANSI 61-G



Accredited by  
Raad voor  
Accreditatie

**WHATEVER...**

your size & shape we have it !!!



**SA**  
S.A. BRAND

**SIAM FITTINGS CO.,LTD.**

MADE ONLY IN THAILAND  
SUPPLYING WORLDWIDE



BS, NPT, DIN and ISO  
STANDARD THREADS



**SA** connect you to daily use of water. With world demand for water and quality of water always increase. We want to make sure that water does not goes to waste from leakage not to mentions the damage that result from the leaking water can do. Every connection does matter to us.

Maintian constant product quality is our policy that lead us to ensure that our production base are stable, our people are well train and experience, our resources are sufficient to provide continue productivity and improvement. Above all we are motivated to be the leader

We stride to maximise customer satisfaction, quality leadership and leader in manufacturing

The Management  
Siam Fittings co.,ltd.



PM Award



**SIAM FITTINGS CO.,LTD.**

Website : [www.siamfittings.th.com](http://www.siamfittings.th.com)

100/1 Moo 2, Settakit 1 Road, Omnoi, Krathumban,  
Samutsakorn, 74130, Thailand.

Bronze Pipe Fittings Please Contact  
Tel. +66 (0) 2429 1029, 810 0832-5  
Fax. +66 (0) 2810 1301  
Email : [autta@ksc.th.com](mailto:autta@ksc.th.com)

STANDARD PACKING LISTS &

PRODUCT SPECIFICATIONS

CAST BRONZE PIPE FITTINGS CLASS 125 lbs. & 250 lbs.

**LEADFREE**



CAST BRONZE PIPE FITTINGS  
CLASS 125 lbs. & 250 lbs.

**SA**  
S.A. BRAND

**SIAM FITTINGS CO.,LTD.**



**QUALITY SYSTEM ISO 9001:2000**

EN ISO 9001:2000; BS EN ISO 9001:2000; ANSI/ASQ Q9001:2000



Certified to  
NSF/ ANSI 61-G

"Copper [tube, pipe, or fitting][Alloy [ alloy designation] has been evaluated by [Testing Organization] to NSF/ANSI 61 for use in drinking water supplies of pH 6.5 and above. Drinking water supplies that are less than pH 6.5 may require corrosion control to limit leaching of copper into the drinking water."

**SPLA LFSA (CRN)**



Accredited by  
Rood voor  
Accreditatie

QUALITY SYSTEM ISO 9001:2000

**S** = Satisfy Customers.  
**I** = Improvement Continually.  
**A** = At acceptable price and cost.  
**M** = Management Leadership.

All product and services provided by Siam Fittings Co., Ltd. Shall conform to the standard requirements and by our customers. Each employee is responsible for his or her input to the procurement, production, support, delivery service, corporate with supplier of magement provided.

We are committed to continually improving all products and services and to maintain Siam Fittings as Quality Leader in our field, by Involvement of people, Leadership, Process approach, System approach to management and making decision base on fact.

STANDARD SPECIFICATIONS BRONZE PIPE FITTINGS

CLASS	STANDARDS
MATERIALS	ASTM B584-06a , JIS H2203 1969 , BS1400 1985 , DIN 17656 1973 , BSEN 1982:1999 , AS 1565
DIMENSIONS	ANSI B16.15 , ANSI B 16.18 ASME B16.18 , BS 864 , JIS H 3401
FLANGES DIMENSIONS	ANSI B16.24 , MSS SP-106 , DIN 2566 , DIN 2527
UNION DIMENSIONS THREADS	A-A-59617 ANSI / ASME B 1.20.1-1983 , BS 21 , DIN 2999 ISO 7-1 , JIS B0203 , JIS B0207 , JIS B0202
INSPECTION	JIS Z 2201- , JIS Z2241 , JIS B 0261 , JIS B0262 JIS B2201
TOLERANCES TENSILE STRENGTH ELONGATION	JIS B 0403 , JIS B0405 ≥ 21 kgf. /mm. <sup>2</sup> (C89833) ≥ 16% & (C83600) ≥ 20%

Appendix A. Basic Dimension, for American Standard Pipe Threads

This information is selected from the American for Pipe Threads, ANSI B1.20.1-1983 Table 2.

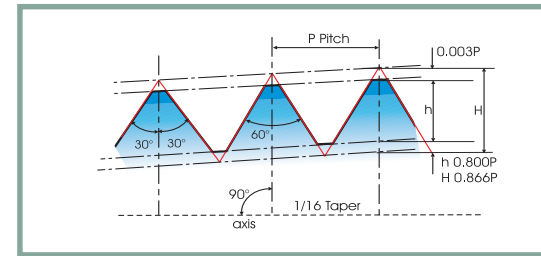


Fig. 4 (Taper)  
 $H = 0.8660 \times P$   
 $h = 0.8000 \times P$

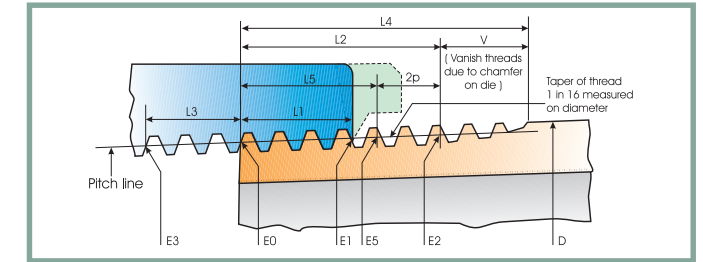


Fig. 5 (Taper)  
 $L2 = (0.8D + 6.8) 1/n$

\* Straight Pipe Threads : the pitch, angle, and depth of thread are the same as the corresponding dimensions of the taper pipe threads.

Table1 Basic Dimensions

Dimensions, in Inch

Nominal Pipe Size (inches)	O.D. of Pipe (D)	Threads /in. (N)	Pitch of Thread (P)	Pitch Dia. at Beginning of External Thread (E0)	Handtight Engagement			Effective Thread, Extenal			Depth of Thread h
					Length <sup>2</sup> (L1)		Diam. <sup>3</sup> (E1)	Length <sup>4</sup> (L2)		Diam. <sup>3</sup> (E2)	
					Inch	Thread		Inch	Thread		
1/8	0.405	27.0	0.037	0.363	0.161	4.36	0.373	0.263	7.12	0.380	0.029
1/4	0.540	18.0	0.055	0.477	0.227	4.10	0.491	0.401	7.23	0.502	0.044
3/8	0.675	18.0	0.055	0.612	0.240	4.32	0.627	0.407	7.34	0.637	0.044
1/2	0.840	14.0	0.071	0.758	0.320	4.48	0.778	0.533	7.47	0.791	0.057
3/4	1.050	14.0	0.071	0.967	0.339	4.75	0.988	0.545	7.64	1.001	0.057
1	1.315	11.5	0.086	1.213	0.400	4.60	1.238	0.682	7.85	1.256	0.069
1 1/4	1.660	11.5	0.086	1.557	0.420	4.83	1.583	0.706	8.13	1.601	0.069
1 1/2	1.900	11.5	0.086	1.796	0.420	4.83	1.822	0.723	8.32	1.841	0.069
2	2.375	11.5	0.086	2.269	0.436	5.01	2.296	0.756	8.70	2.316	0.069
2 1/2	2.875	8.0	0.125	2.719	0.682	5.46	2.762	1.137	9.10	2.790	0.100
3	3.500	8.0	0.125	3.340	0.766	6.13	3.388	1.200	9.60	3.415	0.100
3 1/2	4.000	8.0	0.125	3.837	0.821	6.57	3.888	1.250	10.00	3.915	0.100
4	4.500	8.0	0.125	4.334	0.844	6.75	4.387	1.300	10.40	4.415	0.100
5	5.563	8.0	0.125	5.390	0.937	7.50	5.449	1.406	11.25	5.478	0.100
6	6.625	8.0	0.125	6.446	0.958	7.66	6.505	1.512	12.21	6.540	0.100

Appendix B. Basic Dimensions for British Standard Pipe Threads

This information is selected from the British Standard Specification Pipe Threads B.S. 21 : 1985 Table 2

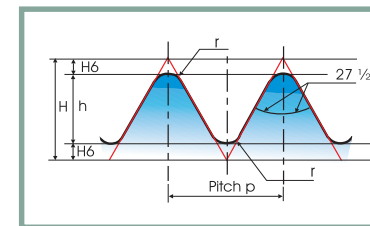
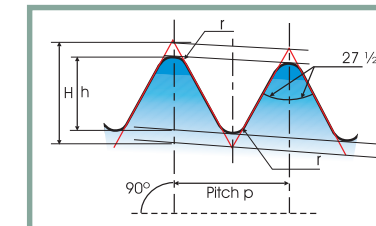
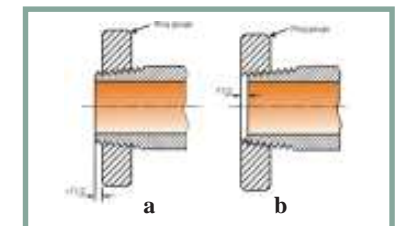


Fig 1 (parallel) Fig (Taper)  
 $H = 0.960491 \times p$   
 $h = 0.610327 \times p$   
 $h = 0.137329 \times p$



Taper 1 in 16 on dia. Fig (Taper)  
 $H = 0.960237 \times p$  (Shown exaggerated)  
 $H = 0.610327 \times p$  in diagram  
 $H = 0.137278 \times p$  Axis of screw



(a) External thread of maximum gauge length (b) External thread of minimum gauge length


Table 2 Basic Sizes

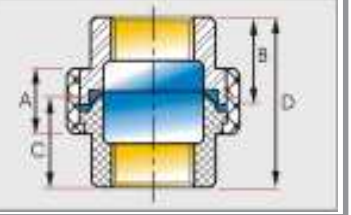
Dimensions in mm.

Thread size designation (inches)	Number of threads in 25.4 mm.	Pitch P	Depth of thread h	Basic diameters at gauge plane			Gauge length				Basic gauge length
				Major d	Pitch d2	Minor d1	Basic	Tolerance T1/2	Maximum	Minimum	
1/8	28	0.907	0.581	9.728	9.147	8.566	4.0	0.9	4.9	3.1	6.5
1/4	19	1.337	0.856	13.157	12.301	11.445	6.0	1.3	7.3	4.7	9.7
3/8	19	1.337	0.856	16.662	15.806	14.950	6.4	1.3	7.7	5.1	10.1
1/2	14	1.814	1.162	20.955	19.793	18.631	8.2	1.8	10.0	6.4	13.2
3/4	14	1.814	1.162	26.441	25.279	24.117	9.5	1.8	10.0	7.7	14.5
1	11	2.309	1.479	33.249	31.770	30.291	10.4	2.3	12.7	8.1	16.8
1 1/4	11	2.309	1.479	41.910	40.431	38.952	12.7	2.3	15.0	10.4	19.1
1 1/2	11	2.309	1.479	47.803	46.324	44.845	12.7	2.3	15.0	10.4	19.1
2	11	2.309	1.479	59.614	58.135	56.656	15.9	2.3	18.2	13.6	23.
2 1/2	11	2.309	1.479	75.184	73.705	72.226	17.5	3.5	21.0	14.0	26.7
3	11	2.309	1.479	87.884	86.405	84.926	20.6	3.5	24.1	17.1	29.8
4	11	2.309	1.479	113.030	111.551	110.072	25.4	3.5	28.9	21.9	35.8
5	11	2.309	1.479	138.430	136.951	135.472	28.6	3.5	32.1	25.1	40.1
6	11	2.309	1.479	163.830	162.351	160.872	28.6	3.5	32.1	25.1	40.1

PACKING LISTS and SPECIFICATION STANDARD

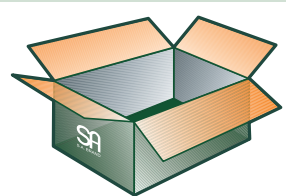
**C83600 5% Pb ( SA MARK ) CAST BRONZE THREADED FITTINGS 125 LB.**  
**C89833 LEAD FREE ( LF SA MARK ) CAST BRONZE THREADED FITTINGS 250 LB.**  
**ORDER CODE C = AMERICAN (NPT) , E= BRITISH STANDARD (BSPT) , G = GERMANY STANDARD (DIN)**

(LF) CXU,EXU	Size (inch)	Dimensions (inch)				Inner Box Pcs./Box	Master Ctn. Pcs./Ctn.	NO. of Inner Box	Weight/Pcs.	N.W./Ctn. (Kgs.)
		A	B	C	D					
	1/8	0.55	0.74	0.78	1.43	75	300	D4	0.0848	25.44
	1/4	0.68	0.85	0.83	1.16	-	225	C	0.1585	35.67
	3/8	0.68	0.89	0.94	1.74	75	150	D2	0.1872	28.08
	1/2	0.75	1.02	1.02	2.00	50	100	D2	0.2880	28.80
	3/4	0.88	1.19	1.22	2.12	30	60	D2	0.4876	29.26
	1	0.94	1.23	1.27	2.43	-	50	C	0.6170	30.85
	1 1/4	1.00	1.43	1.51	2.68	-	25	C	1.0388	25.97
	1 1/2	1.10	1.47	1.53	2.81	-	20	C	1.3620	27.24
	2	1.18	1.63	1.61	3.18	-	15	C	1.9167	28.75
	2 1/2	1.40	1.85	1.87	3.62	-	10	C	2.6340	26.34



Appendix E. Metric System Table with English Equivalents

Inches	1/8	1/4	3/8	1/2	3/4	1	1 1/4	1 1/2	2	2 1/2	3	4	5	6
Millimeters	4	8	10	15	20	25	32	40	50	65	80	100	125	150



**MASTER CARTON (C)**

SIZE LxWxH 12 1/8 x 9 1/2 x 8 1/2"  
 PAPER A185/ 150 C



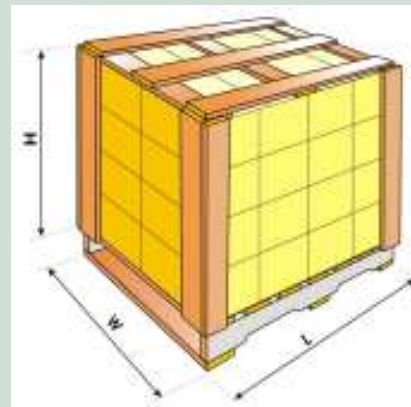
**INNER BOX (D2)**

SIZE LxWxH 4 1/4 x 5 7/8 x 7 1/2"  
 PAPER A185/ 150 C



**INNER BOX (D4)**

SIZE LxWxH 9 1/8 x 5 1/2 x 7 1/2"  
 PAPER A185/ 150 C




**PALLET type A**

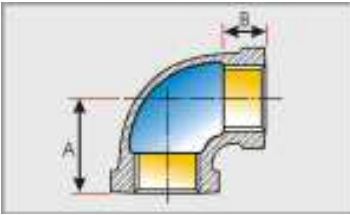
SIZE LxWxH 100-103 x 70 x 90 CM.

32 CTN / PALLET

PACKING LISTS and SPECIFICATION STANDARD


**C83600 5% Pb ( SA MARK ) CAST BRONZE THREADED FITTINGS 125 LB.**  
**C89833 LEAD FREE ( LF SA MARK ) CAST BRONZE THREADED FITTINGS 250 LB.**  
**ORDER CODE C = AMERICAN (NPT) , E= BRITISH STANDARD (BSPT) , G = GERMANY STANDARD (DIN)**


(LF) CL 90,EL 90°	Size (inch)	Dimensions (inch)		Inner Box Pcs./Box	Master Ctn. Pcs./Ctn.	NO. of Inner Box	Weight/Pcs.	N.W./Ctn. (Kgs.)
		A	B (Min)					
	1/8	0.54	0.25	225	900	D4/C	0.0300	27.00
	1/4	0.71	0.32	150	600	D4/C	0.0446	26.76
	3/8	0.82	0.36	100	400	D4/C	0.0746	29.84
	1/2	1.01	0.43	50	200	D4/C	0.1120	22.40
	3/4	1.18	0.50	25	100	D4/C	0.1780	17.80
	1	1.43	0.58	-	75	C	0.2793	20.95
	1 1/4	1.69	0.67	25	50	D2/C	0.4905	24.53
	1 1/2	1.84	0.70	-	35	C	0.6314	22.10
	2(UL)	2.12	0.75	10	20	D2/C	0.9129	18.26
	2 1/2	2.70	0.92	-	10	C	1.7488	17.49
	3	3.08	0.98	3	6	D2	2.5604	15.36
	4(UL)	3.79	1.08	1	2	D2	4.8788	9.76



(LF) CL 45,EL 45°


ELBOW 45°

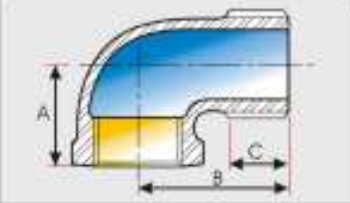
(LF) CL 45,EL 45°	Size (inch)	Dimensions (inch)		Inner Box Pcs./Box	Master Ctn. Pcs./Ctn.	NO. of Inner Box	Weight/Pcs.	N.W./Ctn. (Kgs.)
		A	B (Min)					
	1/8	0.42	0.25	300	1200	D4/C	0.0215	25.80
	1/4	0.56	0.32	150	600	D4/C	0.0365	21.90
	3/8	0.63	0.36	100	400	D4/C	0.0671	26.84
	1/2	0.78	0.43	50	200	D4/C	0.1038	20.76
	3/4	0.89	0.50	25	100	D4/C	0.1547	15.47
	1	1.06	0.58	-	75	C	0.2740	20.55
	1 1/4	1.22	0.67	-	50	C	0.3825	19.13
	1 1/2	1.30	0.70	-	40	C	0.5356	21.42
	2(UL)	1.45	0.75	-	25	C	0.8134	20.34
	2 1/2	1.95	0.92	-	12	C	1.4375	17.25
	3(UL)	2.17	0.98	-	8	C	2.1671	17.34
	4	2.61	1.08	-	3	C	3.6333	10.90



(LF) CSL 90,ESL 90°

STREET ELBOWS 90°

(LF) CSL 90,ESL 90°	Size (inch)	Dimensions (inch)			Inner Box Pcs./Box	Master Ctn. Pcs./Ctn.	NO. of Inner Box	Weight/Pcs.	N.W./Ctn. (Kgs.)
		A	B	C					
	1/8	0.54	0.92	0.27	250	1000	D4/C	0.0249	24.90
	1/4	0.71	1.11	0.41	175	700	D4/C	0.0444	31.08
	3/8	0.82	1.24	0.41	100	400	D4/C	0.0717	28.68
	1/2	1.01	1.48	0.54	50	200	D4/C	0.1044	20.88
	3/4	1.18	1.65	0.55	-	125	C	0.1652	20.65
	1	1.43	1.98	0.69	35	70	D2/C	0.2619	18.33
	1 1/4	1.69	2.24	0.71	20	40	D2/C	0.4730	18.92
	1 1/2	1.84	2.46	0.73	15	30	D2/C	0.6040	18.12
	2	2.12	2.88	0.76	-	20	C	0.8854	17.71
	2 1/2	2.70	3.86	1.14	-	11	C	1.8083	19.89
	3	3.08	4.51	1.20	-	6	C	2.9156	17.49
	4	3.79	5.69	1.30	1	2	D2/C	5.2000	10.40



PACKING LISTS and SPECIFICATION STANDARD

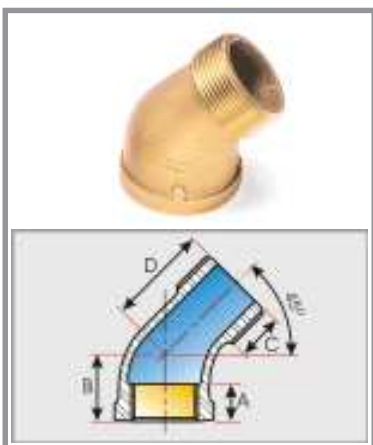
C83600 5% Pb ( SA MARK ) CAST BRONZE THREADED FITTINGS 125 LB.

C89833 LEAD FREE ( LF SA MARK ) CAST BRONZE THREADED FITTINGS 125 LB.

ORDER CODE C = AMERICAN (NPT), E = BRITISH STANDARD (BSPT), G = GERMANY STANDARD (DIN)

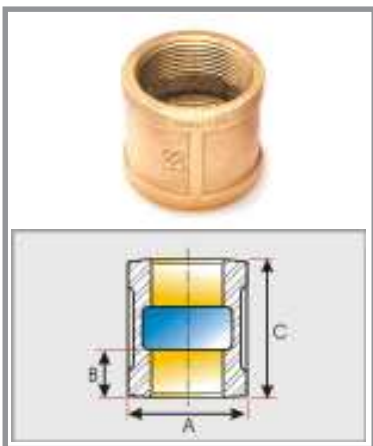
**(LF) CSL 45,ESL 45°**  
**STREET ELBOWS 45°**

Size (inch)	Dimensions (inch)				Inner Box Pcs./Box	Master Ctn. Pcs./Ctn.	NO. of Inner Box	Weight/Pcs.	N.W./Ctn. (Kgs.)
	A (Min)	B	C (Min)	D					
1/8	0.25	0.54	0.27	0.78	300	1200	D4/C	0.0260	31.20
1/4	0.32	0.71	0.41	0.88	150	600	D4/C	0.0378	22.68
3/8	0.36	0.82	0.41	0.92	100	400	D4/C	0.0614	24.56
1/2	0.43	1.01	0.54	1.06	-	275	C	0.0865	23.79
3/4	0.50	1.18	0.55	1.23	-	175	C	0.1500	26.25
1	0.58	1.43	0.69	1.40	50	100	D2/C	0.2500	25.00
1 1/4	0.67	1.69	0.71	1.64	30	60	D2/C	0.3571	21.43
1 1/2	0.70	1.84	0.73	1.80	-	45	C	0.4420	19.89
2(UL)	0.75	2.12	0.76	2.14	-	20	C	0.7995	15.99



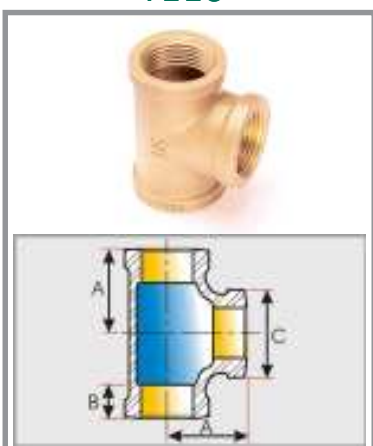
**(LF) CS,ES**  
**SOCKET, COUPLING**

Size (inch)	Dimensions (inch)			Inner Box Pcs./Box	Master Ctn. Pcs./Ctn.	NO. of Inner Box	Weight/Pcs.	N.W./Ctn. (Kgs.)
	A (Min)	B (Min)	C					
1/8	0.67	0.25	0.80	300	1200	D4/C	0.0246	29.52
1/4	0.81	0.32	0.97	200	800	D4/C	0.0338	27.04
3/8	1.00	0.36	1.05	100	400	D4/C	0.0646	25.84
1/2	1.17	0.43	1.29	-	250	C	0.0920	23.00
3/4	1.42	0.50	1.43	-	150	C	0.1278	19.17
1	1.72	0.58	1.68	50	100	D2/C	0.2110	21.10
1 1/4	2.10	0.67	1.86	-	70	C	0.3318	23.23
1 1/2	2.38	0.70	1.92	-	50	C	0.4420	22.10
2(UL)	2.92	0.75	2.20	15	30	D2/C	0.6720	20.16
2 1/2	3.49	0.92	2.88	-	18	C	1.2750	22.95
3(UL)	4.20	0.98	3.18	-	12	C	1.7634	21.16
4	5.31	1.08	3.69	-	6	C	2.9708	17.82



**(LF) CT,ET**  
**TEES**

Size (inch)	Dimensions (inch)			Inner Box Pcs./Box	Master Ctn. Pcs./Ctn.	NO. of Inner Box	Weight/Pcs.	N.W./Ctn. (Kgs.)
	A	B (Min)	C (Min)					
1/8	0.54	0.25	0.67	150	600	D4/C	0.0420	25.20
1/4	0.71	0.32	0.81	100	400	D4/C	0.0600	24.00
3/8	0.82	0.36	1.00	50	200	D4/C	0.1150	23.00
1/2	1.01	0.43	1.17	-	125	C	0.1592	19.90
3/4	1.18	0.50	1.42	-	75	C	0.2407	18.05
1	1.43	0.58	1.72	-	50	C	0.4120	20.60
1 1/4	1.69	0.67	2.10	-	35	C	0.6264	21.92
1 1/2	1.84	0.70	2.38	10	20	D2/C	0.7900	15.80
2(UL)	2.12	0.75	2.92	-	15	C	1.3133	19.70
2 1/2	2.70	0.92	3.49	4	8	D2/C	2.3616	18.89
2 1/2(UL)	2.70	0.92	3.49	4	8	D2/C	2.3763	19.01
3(UL)	3.08	0.98	4.20	2	4	D2/C	3.3378	13.35
4	3.79	1.08	5.31	1	2	D2/C	6.0230	12.05



PACKING LISTS and SPECIFICATION STANDARD

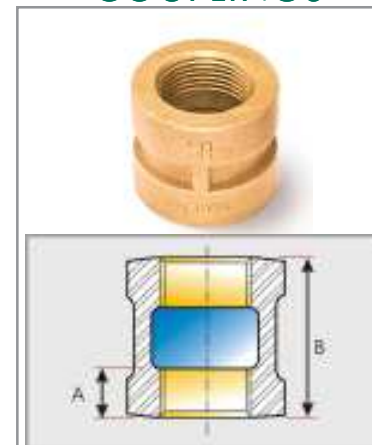
C83600 5% Pb ( SA MARK ) CAST BRONZE THREADED FITTINGS 125 LB.

C89833 LEAD FREE ( LF SA MARK ) CAST BRONZE THREADED FITTINGS 125 LB.

ORDER CODE C = AMERICAN (NPT), E = BRITISH STANDARD (BSPT), G = GERMANY STANDARD (DIN)

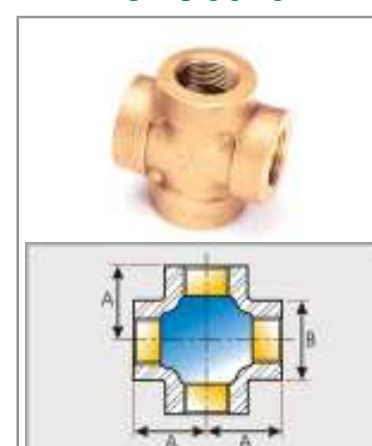
**(LF) CXS,EXS**  
**COUPLINGS**

Size (inch)	Dimensions (inch)		Inner Box Pcs./Box	Master Ctn. Pcs./Ctn.	NO. of Inner Box	Weight/Pcs.	N.W./Ctn. (Kgs.)
	A	B					
1/4	0.32	1.06	135	540	D4	0.0634	34.24
3/8	0.36	1.16	75	300	D4	0.0978	29.34
1/2	0.43	1.34	50	200	D4	0.1504	30.08
3/4	0.50	1.52	55	110	D2	0.2448	26.93
1	0.58	1.67	-	90	C	0.3592	32.33
1 1/4	0.67	1.93	-	50	C	0.6920	34.60
1 1/2	0.70	2.15	-	40	C	0.7770	31.08
2	0.75	2.53	10	20	D2	1.2400	24.80
2 1/2	0.92	2.88	-	10	C	2.0500	20.50
3	0.98	3.18	-	10	C	2.7190	27.19



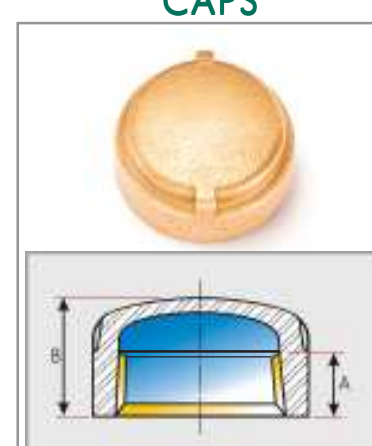
**(LF) CXCR ,EXCR**  
**CROSSES**

Size (inch)	Dimensions (inch)		Inner Box Pcs./Box	Master Ctn. Pcs./Ctn.	NO. of Inner Box	Weight/Pcs.	N.W./Ctn. (Kgs.)
	A	B					
1/4	0.81	0.93	50	200	D4	0.1360	27.20
3/8	0.95	1.12	65	130	D2	0.2140	27.82
1/2	1.12	1.34	35	70	D2	0.3875	27.13
3/4	1.31	1.63	20	40	D2	0.6000	24.00
1	1.50	1.95	20	40	D2	0.8136	32.54
1 1/4	1.75	2.39	-	20	C	1.2720	25.44
1 1/2	1.94	2.68	-	18	C	1.9050	34.29
2	2.25	3.28	-	10	C	2.5940	25.94



**(LF) CXCA,EXCA**  
**CAPS**

Size (inch)	Dimensions (inch)			Inner Box Pcs./Box	Master Ctn. Pcs./Ctn.	NO. of Inner Box	Weight/Pcs.	N.W./Ctn. (Kgs.)
	A	B	C					
1/4	0.32	0.67	0.11	200	800	D4	0.0416	33.28
3/8	0.36	0.76	0.12	130	520	D4	0.0664	34.53
1/2	0.43	0.86	0.13	80	320	D4	0.1000	32.00
3/4	0.50	1.02	0.16	100	200	D2	0.1666	33.32
1	0.58	1.10	0.17	50	100	D2	0.2690	26.90
1 1/4	0.67	1.29	0.19	-	80	C	0.4455	35.64
1 1/2	0.70	1.33	0.20	30	60	D2	0.5100	30.60
2	0.75	1.55	0.22	-	35	C	0.9067	31.73
2 1/2	0.92	1.81	0.24	-	27	C	1.2540	33.86
3	0.98	2.00	0.26	-	15	C	2.1440	32.16



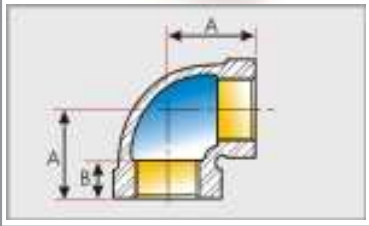
PACKING LISTS and SPECIFICATION STANDARD

**C83600 5% Pb ( SA MARK ) CAST BRONZE THREADED FITTINGS 125 LB.**  
**C89833 LEAD FREE ( LF SA MARK ) CAST BRONZE THREADED FITTINGS 250 LB.**  
**ORDER CODE C = AMERICAN (NPT) , E= BRITISH STANDARD (BSPT) , G = GERMANY STANDARD (DIN)**

**(LF) CXL 90,EXL 90°**

**ELBOWS 90°**


Size (inch)	Dimensions (inch)		Inner Box Pcs./Box	Master Ctn. Pcs./Ctn.	NO. of Inner Box	Weight/Pcs.	N.W./Ctn. (Kgs.)
	A	B					
1/4	0.81	0.32	225	450	D2	0.0736	33.12
3/8	0.95	0.36	125	250	D2	0.1350	33.75
1/2	1.12	0.43	-	175	C	0.2087	36.52
3/4	1.31	0.50	-	100	C	0.3640	36.40
1	1.50	0.58	30	60	D2	0.5150	30.90
1 1/4	1.75	0.67	-	35	C	0.9225	32.29
1 1/2	1.94	0.70	-	27	C	1.0890	29.40
2	2.25	0.75	-	13	C	1.9500	25.35
2 1/2	2.70	0.92	-	6	C	2.4690	14.81
3(UL)	3.08	0.98	2	4	D2	4.3125	17.25



**(LF) CXL 45,EXL 45°**

**ELBOWS 90°**

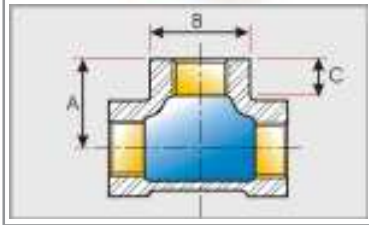
Size (inch)	Dimensions (inch)		Inner Box Pcs./Box	Master Ctn. Pcs./Ctn.	NO. of Inner Box	Weight/Pcs.	N.W./Ctn. (Kgs.)
	A	B					
1/4	0.73	0.32	-	150	C	0.1500	22.50
3/8	0.80	0.36	-	100	C	0.1600	16.00
1/2	0.88	0.43	40	160	D4	0.1758	28.13
3/4	0.98	0.50	-	130	C	0.2810	36.53
1	1.12	0.58	30	60	D2	0.3867	23.20
1 1/4	1.29	0.67	-	40	C	0.7675	30.70
1 1/2	1.43	0.70	-	27	C	1.0400	28.08
2	1.68	0.75	-	15	C	1.6333	24.50



**(LF) CXT,EXT**

**TEES**

Size (inch)	Dimensions (inch)			Inner Box Pcs./Box	Master Ctn. Pcs./Ctn.	NO. of Inner Box	Weight/Pcs.	N.W./Ctn. (Kgs.)
	A	B	C					
1/4	0.81	0.93	0.32	125	250	D2	0.1240	31.00
3/8	0.95	1.12	0.36	-	175	C	0.1692	29.61
1/2	1.12	1.34	0.43	-	100	C	0.3065	30.65
3/4	1.31	1.63	0.50	25	50	D2	0.5000	25.00
1	1.50	1.95	0.58	-	40	C	0.7732	30.93
1 1/4	1.75	2.39	0.67	-	22	C	1.3100	28.82
1 1/2	1.94	2.68	0.70	-	18	C	1.6650	29.97
2	2.25	3.28	0.75	-	10	C	2.5550	25.55
2 1/2	2.70	3.86	0.92	-	7	C	4.1800	29.26
3(UL)	3.08	4.62	0.98	-	3	C	6.0650	18.20



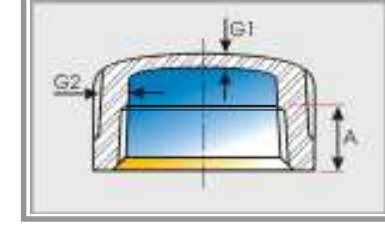
PACKING LISTS and SPECIFICATION STANDARD

**C83600 5% Pb ( SA MARK ) CAST BRONZE THREADED FITTINGS 125 LB.**  
**C89833 LEAD FREE ( LF SA MARK ) CAST BRONZE THREADED FITTINGS 125 LB.**  
**ORDER CODE C = AMERICAN (NPT) , E= BRITISH STANDARD (BSPT) , G = GERMANY STANDARD (DIN)**

**(LF) CCA,ECA**

**CAPS**

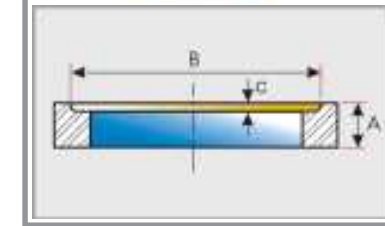
Size (inch)	Dimensions (inch)			Inner Box Pcs./Box	Master Ctn. Pcs./Ctn.	NO. of Inner Box	Weight/Pcs.	N.W./Ctn. (Kgs.)
	A (Min)	G1	G2					
1/8	0.25	0.09	0.08	575	2300	D4	0.0148	34.04
1/4	0.32	0.10	0.08	325	1300	D4	0.0267	34.71
3/8	0.36	0.11	0.09	200	800	D4	0.0395	31.60
1/2	0.43	0.12	0.09	125	500	D4	0.0617	30.85
3/4	0.50	0.13	0.10	-	325	C	0.0935	30.39
1	0.58	0.15	0.11	50	200	D4	0.1511	30.22
1 1/4	0.67	0.17	0.12	25	100	D4	0.2500	25.00
1 1/2	0.70	0.19	0.13	50	100	D2	0.2895	28.95
2(UL)	0.75	0.22	0.15	-	70	C	0.5344	37.41
2 1/2	0.92	0.25	0.17	-	35	C	0.8786	30.75
3(UL)	0.98	0.29	0.19	-	25	C	1.2260	30.65
4	1.08	0.36	0.22	5	10	D2	2.1040	21.04



**(LF) CLN,ELN**

**LOCKNUT**

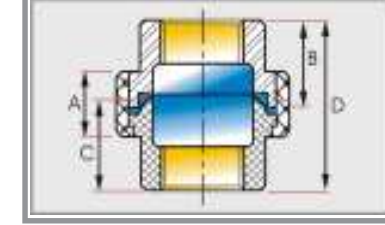
Size (inch)	Dimensions (inch)			Inner Box Pcs./Box	Master Ctn. Pcs./Ctn.	NO. of Inner Box	Weight/Pcs.	N.W./Ctn. (Kgs.)
	A	B	C					
1/8	0.19	0.50	0.04	900	3600	D4	0.0094	33.84
1/4	0.25	0.66	0.06	500	2000	D4	0.0120	24.00
3/8	0.28	0.77	0.06	350	1400	D4	0.0182	25.48
1/2	0.31	0.97	0.06	200	800	D4	0.0450	36.00
3/4	0.34	1.23	0.06	-	475	C	0.0600	28.50
1	0.38	1.50	0.06	75	300	D4	0.0898	26.94
1 1/4	0.42	1.86	0.06	75	150	D2	0.1212	18.18
1 1/2	0.47	2.12	0.06	50	100	D2	0.2350	23.50
2	0.53	2.63	0.09	40	80	D2	0.2844	22.75
2 1/2	0.59	3.18	0.09	25	50	D2	0.5035	25.18
3	0.67	3.84	0.09	20	40	D2	0.5467	21.87
4	0.80	5.00	0.13	15	30	D2	0.8075	24.23



**(LF) CU,EU**

**UNION**

Size (inch)	Dimensions (inch)				Inner Box Pcs./Box	Master Ctn. Pcs./Ctn.	NO. of Inner Box	Weight/Pcs.	N.W./Ctn. (Kgs.)
	A	B	C	D					
1/8	0.51	0.61	0.63	1.18	-	475	C	0.0599	28.45
1/4	0.53	0.68	0.78	1.26	-	275	C	0.1120	30.80
3/8	0.62	0.82	0.86	1.49	75	150	D2	0.1766	26.49
1/2	0.67	0.84	0.88	1.57	-	125	C	0.2120	26.50
3/4	0.73	0.98	1.06	1.90	-	75	C	0.3010	22.58
1	0.78	1.12	1.20	2.12	-	70	C	0.4500	31.50
1 1/4	0.94	1.26	1.37	2.36	-	35	C	0.6507	22.77
1 1/2	1.02	1.35	1.53	2.67	-	25	C	0.8140	20.35
2	1.06	1.49	1.71	2.99	-	15	C	1.3600	20.40
2 1/2	1.16	1.67	1.87	3.40	-	10	C	2.1025	21.03
3	1.31	1.90	1.98	3.95	-	8	C	3.0063	24.05
4	1.57	2.36	2.44	4.64	-	3	C	5.2000	15.60

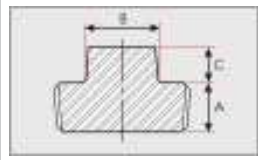
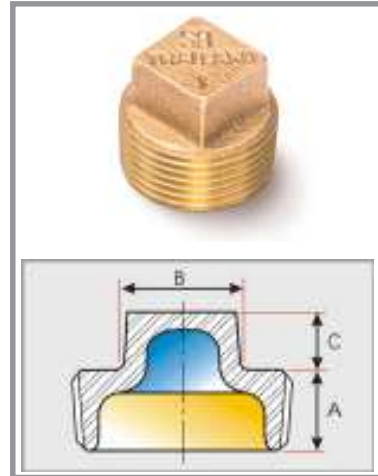


PACKING LISTS and SPECIFICATION STANDARD

C83600 5% Pb ( SA MARK ) CAST BRONZE THREADED FITTINGS 125 LB.  
 C89833 LEAD FREE ( LF SA MARK ) CAST BRONZE THREADED FITTINGS 125 LB.

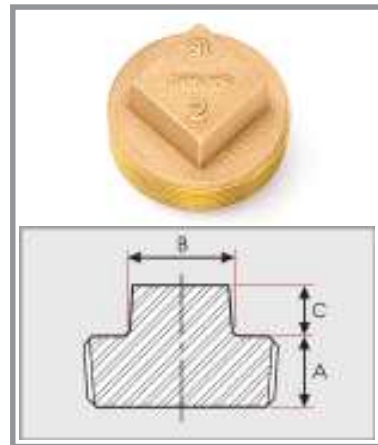
ORDER CODE C = AMERICAN (NPT), E = BRITISH STANDARD (BSPT), G = GERMANY STANDARD (DIN)

(LF) CPEP PLUGS	Size (inch)	Dimensions (inch)			Inner Box Pcs./Box	Master Ctn. Pcs./Ctn.	NO. of Inner Box	Weight/Pcs.	N.W./Ctn. (Kgs.)
		A	B	C					
	*1/8	0.27	0.28	0.24	1075	4300	D4	0.0080	34.40
	*1/4	0.41	0.37	0.28	500	2000	D4	0.0170	34.00
	*3/8	0.41	0.43	0.31	275	1100	D4	0.0315	34.65
	1/2	0.54	0.56	0.38	175	700	D4	0.0477	33.39
	3/4	0.55	0.62	0.44	225	450	D2	0.0734	33.03
	1	0.69	0.81	0.50	-	275	C	0.1163	31.98
	1 1/4	0.71	0.93	0.56	-	175	C	0.1732	30.31
	1 1/2	0.73	1.12	0.62	-	125	C	0.2555	31.94
	2	0.76	1.31	0.68	35	70	D2	0.3404	23.83
	2 1/2	1.07	1.50	0.74	20	40	D2	0.6000	24.00
	3	1.13	1.68	0.80	15	30	D2	0.8629	25.89
	4	1.22	2.25	0.92	10	20	D2	1.4500	29.00

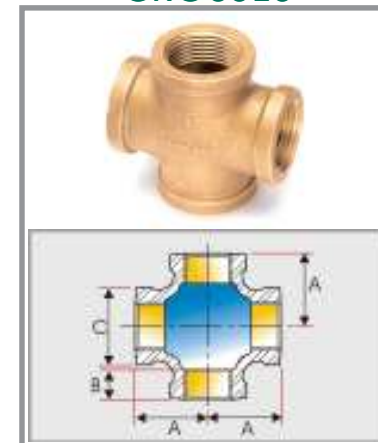


\*1/8", 1/4", 3/8"

(LF) CSP,ESP SOLID PLUGS	Size (inch)	Dimensions (inch)			Inner Box Pcs./Box	Master Ctn. Pcs./Ctn.	NO. of Inner Box	Weight/Pcs.	N.W./Ctn. (Kgs.)
		A	B	C					
	1/8	0.27	0.28	0.24	1175	4700	D4	0.0073	34.31
	1/4	0.41	0.37	0.28	300	1200	D4	0.0170	20.40
	3/8	0.41	0.43	0.31	275	1100	D4	0.0292	32.12
	1/2	0.54	0.56	0.38	150	600	D4	0.0561	33.66
	3/4	0.55	0.62	0.44	100	400	D4	0.0886	35.44
	1	0.69	0.81	0.50	50	200	D4	0.1740	34.80
	1 1/4	0.71	0.93	0.56	-	125	C	0.2680	33.50
	1 1/2	0.73	1.12	0.62	25	100	D4	0.4040	40.40
	2	0.76	1.31	0.68	25	50	D2	0.6315	31.58
	2 1/2	1.07	1.50	0.74	15	30	D2	1.0700	32.10
	3	1.13	1.68	0.80	9	18	D2	1.8500	33.30
	4	1.22	2.25	0.92	5	10	D2	3.4000	34.00



(LF) CCR,ECR CROSSES	Size (inch)	Dimensions (inch)			Inner Box Pcs./Box	Master Ctn. Pcs./Ctn.	NO. of Inner Box	Weight/Pcs.	N.W./Ctn. (Kgs.)
		A	B (Min)	C (Min)					
	1/8	0.54	0.25	0.67	100	400	D4	0.0580	23.20
	1/4	0.71	0.32	0.81	-	275	C	0.0376	10.34
	3/8	0.82	0.36	1.00	-	125	C	0.1262	15.78
	1/2	1.01	0.43	1.17	25	100	D4	0.2000	20.00
	3/4	1.18	0.50	1.42	30	60	D2	0.2658	15.95
	1	1.43	0.58	1.72	15	30	D2	0.4942	14.83
	1 1/4	1.69	0.67	2.10	-	24	C	0.7375	17.70
	1 1/2	1.84	0.70	2.38	24	24	C	1.3302	31.92
	2	2.12	0.75	2.92	12	12	C	1.4500	17.40
	2 1/2	2.70	0.92	3.49	6	6	C	2.6060	15.64

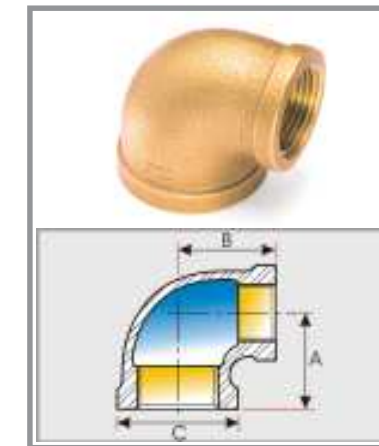


PACKING LISTS and SPECIFICATION STANDARD

C83600 5% Pb ( SA MARK ) CAST BRONZE THREADED FITTINGS 125 LB.  
 C89833 LEAD FREE ( LF SA MARK ) CAST BRONZE THREADED FITTINGS 250 LB.

ORDER CODE C = AMERICAN (NPT), E = BRITISH STANDARD (BSPT), G = GERMANY STANDARD (DIN)

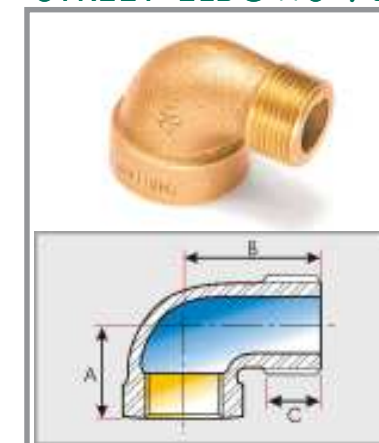
(LF) CRL 90,ERL 90 REDUCING ELBOWS 90°	Size (inch)	Dimensions (inch)			Inner Box Pcs./Box	Master Ctn. Pcs./Ctn.	NO. of Inner Box	Weight/Pcs.	N.W./Ctn. (Kgs.)
		A	B	C (Min)					
	1/4 x 1/8	0.65	0.60	0.81	350	700	D2/C	0.0401	28.07
	3/8 x 1/8	0.75	0.78	1.00	250	500	D2/C	0.0676	33.80
	3/8 x 1/4	0.75	0.78	1.00	100	400	D4/C	0.0730	29.20
	1/2 x 1/8	0.93	0.90	1.17	100	400	D4/C	0.0700	28.00
	1/2 x 1/4	0.93	0.90	1.17	75	300	D4/C	0.0882	26.46
	1/2 x 3/8	0.93	0.90	1.17	50	200	D4/C	0.1025	20.50
	3/4 x 1/8	1.08	1.11	1.42	50	200	D4/C	0.1141	22.82
	3/4 x 1/4	1.08	1.11	1.42	-	175	C	0.1165	20.39
	3/4 x 3/8	1.08	1.11	1.42	-	175	C	0.1360	23.80
	3/4 x 1/2	1.08	1.11	1.42	-	150	C	0.1525	22.88
	1 x 1/4	1.20	1.24	1.72	-	150	C	0.1700	25.50
	1 x 1/2	1.20	1.24	1.72	50	100	D2/C	0.2410	24.10
	1 x 3/4	1.30	1.31	1.72	50	100	D2/C	0.2378	23.78
	1 1/4 x 1/2	1.17	1.60	2.10	-	80	C	0.3000	24.00
	1 1/4 x 3/4	1.42	1.60	2.10	-	70	C	0.3289	23.02
	1 1/4 x 1	1.52	1.60	2.10	-	60	C	0.4000	24.00
	1 1/2 x 1/2	1.17	1.48	2.38	-	60	C	0.3236	19.42
	1 1/2 x 3/4	1.39	1.48	2.38	-	60	C	0.3780	22.68
	1 1/2 x 1	1.55	1.72	2.38	-	50	C	0.4500	22.50
	1 1/2 x 1 1/4	1.72	1.81	2.38	-	35	C	0.5500	19.25
	2 x 1/2	1.60	2.07	2.92	-	35	C	0.5400	18.90
	2 x 3/4	1.60	2.07	2.92	-	35	C	0.5400	18.90
	2 x 1	1.72	2.07	2.92	-	30	C	0.7000	21.00
	2 x 1 1/4	1.89	2.07	2.92	-	25	C	0.6850	17.13
	2 x 1 1/2	1.89	2.07	2.92	-	25	C	0.8500	21.25
	2 1/2 x 1/2	2.20	2.60	3.49	-	15	C	0.8950	13.43
	2 1/2 x 1	2.20	2.60	3.49	10	20	D2/C	1.1500	23.00
	2 1/2 x 1 1/4	2.38	2.60	3.49	8	16	D2/C	1.1550	18.48
	2 1/2 x 1 1/2	2.38	2.60	2.92	-	16	C	1.1910	19.06
	2 1/2 x 2	2.39	2.60	2.92	6	12	D2/C	1.4604	17.52
	3 x 1 1/2	2.83	2.99	4.20	3	6	D2/C	1.4200	8.52
	3 x 2	2.83	2.99	4.20	-	10	C	1.6500	16.50
	3 x 2 1/2	2.83	2.99	4.20	-	8	C	1.8600	14.88
	4 x 2	3.30	3.60	5.31	-	6	C	2.8330	17.00
	4 x 2 1/2	3.30	3.60	5.31	2	4	D2/C	2.8700	11.48
	4 x 3	3.30	3.60	5.31	2	4	D2/C	4.1500	16.60



PACKING LISTS and SPECIFICATION STANDARD

C89833 LEAD FREE ( LF SA MARK ) BRONZE FITTINGS STANDARD 250 LB.

(LF) CXSL 90,EXSL 90 STREET ELBOWS 90°	Size (inch)	Dimensions (inch)			Inner Box Pcs./Box	Master Ctn. Pcs./Ctn.	NO. of Inner Box	Weight/Pcs.	N.W./Ctn. (Kgs.)
		A	B	C (Min)					
	1/4	0.81	1.11	0.40	95	380	D4	0.0920	34.96
	3/8	0.94	1.24	0.40	180	360	D2	0.0920	33.12
	1/2	1.22	1.49	0.53	90	180	D2	0.1620	29.16
	3/4	1.31	1.69	0.55	50	100	D2	0.2860	28.60
	1	1.50	1.98	0.68	-	60	D2	0.4836	29.02
	1 1/4	1.75	2.24	0.74	-	40	C	0.7505	30.02
	1 1/2	1.94	2.48	0.75	-	27	C	1.0400	28.08
	2	2.25	2.88	0.75	-	17	C	1.4640	24.89



PACKING LISTS and SPECIFICATION STANDARD

C83600 5% Pb ( SA MARK ) CAST BRONZE THREADED FITTINGS 125 LB.  
C89833 LEAD FREE ( LF SA MARK ) CAST BRONZE THREADED FITTINGS 125 LB.

ORDER CODE C = AMERICAN (NPT) , E = BRITISH STANDARD (BSPT) , G = GERMANY STANDARD (DIN)

(LF) CBU,EBU BUSHINGS	Size (inch)	Dimensions (inch)			Inner Box Pcs./Box	Master Ctn. Pcs./Ctn.	NO. of Inner Box	Weight/Pcs.	N.W./Ctn. (Kgs.)
		A (Min)	B (Min)	C (Min)					
	1/4 x 1/8	0.44	0.26	0.14	350	1400	D4	0.0136	19.04
	3/8 x 1/8	0.48	0.25	0.16	250	1000	D4	0.0281	28.10
	3/8 x 1/4	0.48	0.40	0.16	250	1000	D4	0.0225	22.50
	1/2 x 1/8	0.56	0.25	0.19	150	600	D4	0.0505	30.30
	1/2 x 1/4	0.56	0.32	0.19	150	600	D4	0.0430	25.80
	1/2 x 3/8	0.56	0.41	0.19	150	600	D4	0.0401	24.06
	3/4 x 1/8	0.63	0.26	0.22	100	400	D4	0.0773	30.92
	3/4 x 1/4	0.63	0.32	0.22	100	400	D4	0.0741	29.64
	3/4 x 3/8	0.63	0.36	0.22	200	400	D2	0.0697	27.88
	3/4 x 1/2	0.63	0.53	0.22	200	400	D2	0.0599	23.96
	1 x 1/4	0.75	0.32	0.30	125	250	D2	0.1071	26.78
	1 x 3/8	0.75	0.36	0.30	125	250	D2	0.1000	25.00
	1 x 1/2	0.75	0.43	0.25	-	225	C	0.1212	27.27
	1 x 3/4	0.75	0.50	0.25	-	225	C	0.1010	22.73
	1 1/4 x 1/4	0.80	0.32	0.30	-	175	C	0.1546	27.06
	1 1/4 x 3/8	0.80	0.36	0.34	-	125	C	0.1338	16.73
	1 1/4 x 1/2	0.80	0.43	0.34	-	125	C	0.1575	19.69
	1 1/4 x 3/4	0.80	0.50	0.28	-	125	C	0.2101	26.26
	1 1/4 x 1	0.80	0.58	0.28	-	125	C	0.1514	18.93
	1 1/2 x 1/4	0.83	0.32	0.34	-	125	C	0.1340	16.75
	1 1/2 x 3/8	0.83	0.36	0.34	-	125	C	0.2024	25.30
	1 1/2 x 1/2	0.83	0.43	0.37	-	125	C	0.2295	28.69
	1 1/2 x 3/4	0.83	0.50	0.37	-	125	C	0.2310	28.88
	1 1/2 x 1	0.83	0.58	0.31	50	100	D2	0.2665	26.65
	1 1/2 x 1 1/4	0.83	0.71	0.31	50	100	D2	0.1918	19.18
	2 x 3/8	0.88	0.36	0.30	35	70	D2	0.4300	30.10
	2 x 1/2	0.88	0.43	0.41	35	70	D2	0.3000	21.00
	2 x 3/4	0.88	0.50	0.41	35	70	D2	0.3282	22.97
	2 x 1	0.88	0.58	0.41	30	60	D2	0.3689	22.13
	2 x 1 1/4	0.88	0.67	0.34	30	60	D2	0.4195	25.17
	2 x 1 1/2	0.88	0.70	0.34	30	60	D2	0.3168	19.01
	2 1/2 x 3/4	1.07	0.50	0.41	-	50	D2	0.5025	25.13
	2 1/2 x 1/2	1.07	0.43	0.41	-	60	D2	0.4890	29.34
	2 1/2 x 1	1.07	0.58	0.44	-	50	C	0.5424	27.12
	2 1/2 x 1 1/4	1.07	0.67	0.44	-	45	C	0.7600	34.20
	2 1/2 x 1 1/2	1.07	0.75	0.37	20	40	D2	0.5767	23.07
	2 1/2 x 2	1.07	0.75	0.37	20	40	D2	0.5356	21.42
	3 x 1	1.13	0.58	0.41	5	10	D2	0.7417	7.42
	3 x 1 1/2	1.13	0.75	0.48	-	30	C	0.9000	27.00
	3 x 2	1.13	0.75	0.48	-	30	C	1.1761	35.28
	3 x 2 1/2	1.13	0.92	0.40	-	25	C	0.8952	22.38
	4 x 1 1/2	1.22	0.75	0.60	8	16	D2	1.2760	20.42
	4 x 2	1.22	0.75	0.60	8	16	D2	1.4313	22.90
	4 x 2 1/2	1.22	0.92	0.60	6	12	D2	1.6125	19.35
	4 x 3	1.22	0.98	0.50	6	12	D2	1.5271	18.33

(LF) CCPECP COUNTERSUNK PLUG	Size (inch)	Dimensions (inch)		Inner Box Pcs./Box	Master Ctn. Pcs./Ctn.	NO. of Inner Box	Weight/Pcs.	N.W./Ctn. (Kgs.)
		A (Min)	B					
	3/8	0.41	0.32	250	100	D4	0.0324	32.40
	1/2	0.54	0.37	150	600	D4	0.0390	23.40
	3/4	0.55	0.50	100	400	D4	0.0570	22.80
	1	0.69	0.50	50	200	D4	0.1180	23.60
	1 1/4	0.71	0.75	50	200	D4	0.1700	34.00
	1 1/2	0.73	0.75	35	140	D4	0.2420	33.88
	2	0.76	0.87	45	90	D4	0.4220	37.98
	2 1/2	1.07	1.12	-	45	C	0.7282	32.77
	3	1.13	1.37	15	30	D2	1.1540	34.62
	4	1.22	2.00	8	16	D2	1.9804	31.69

PACKING LISTS and SPECIFICATION STANDARD

C83600 5% Pb ( SA MARK ) CAST BRONZE THREADED FITTINGS 125 LB.  
C89833 LEAD FREE ( LF SA MARK ) CAST BRONZE THREADED FITTINGS 125 LB.

ORDER CODE C = AMERICAN (NPT) , E = BRITISH STANDARD (BSPT) , G = GERMANY STANDARD (DIN)

(LF) CFF,EFF FLOOR FLANGES	Size (inch)	Dimensions (inch)				Inner Box Pcs./Box	Master Ctn. Pcs./Ctn.	NO. of Inner Box	Weight/Pcs.	N.W./Ctn. (Kgs.)
		A	B	C	D					
	1/2	3.51	0.55	0.27	0.29	-	75	C	0.2950	22.13
	3/4	3.51	0.62	0.31	0.29	-	75	C	0.2971	22.28
	1	4.01	0.70	0.35	0.29	-	50	C	0.5390	26.95
	1 1/4	4.01	0.76	0.35	0.29	25	50	D2	0.5440	27.20
	1 1/2	4.52	0.88	0.37	0.35	15	30	D2	0.5650	16.95
	2	5.51	0.99	0.40	0.35	10	20	D2	1.1225	22.45

(LF) SCSF,SESF COMPANION SOLDER FLANGE	Size (inch)	Dimensions (inch.)				Inner Box Pcs./Box	Master Ctn. Pcs./Ctn.	NO. of Inner Box	Weight/Pcs.	N.W./Ctn. (Kgs.)
		A	B	C	D					
	3/8	3.50	0.19	0.502	2.38	-	28	D2	0.2610	7.31
	1/2	3.50	0.19	0.627	2.38	-	15	C	0.2400	3.60
	3/4	3.88	0.19	0.877	2.75	-	18	D2	0.3510	6.32
	1	4.25	0.19	1.128	3.12	-	14	C	0.3940	5.52
	1 1/4	4.62	0.19	1.378	3.50	-	16	C	0.6440	10.30
	1 1/2	5.00	0.25	1.628	3.88	5	10	D2	0.9310	9.31
	2	6.00	0.31	2.128	4.75	4	8	D2	1.8375	14.70
	2 1/2	7.00	0.31	2.628	5.50	2	4	D2	2.0250	8.10
	3	7.50	0.38	3.128	6.00	2	4	D2	2.4375	9.75
	3 1/2	8.50	0.38	3.628	7.00	-	4	C	3.3590	13.44
	4	9.00	0.38	4.128	7.50	-	2	C	3.4250	6.85
	5	10.00	0.38	5.128	8.50	-	1	C	4.7940	4.79
	6	11.00	0.38	6.128	9.50	-	1	C	6.0750	6.075

CAST BRONZE THREADED FITTINGS 150 LB.										
Size (inch)	Dimensions (inch)				Inner Box Pcs./Box	Master Ctn. Pcs./Ctn.	NO. of Inner Box	Weight/Pcs.	N.W./Ctn. (Kgs.)	
	A	B	C	D						
3/8	3.50	0.31	0.502	2.38	-	28	C	0.3700	10.36	
1/2	3.50	0.31	0.627	2.38	-	22	D2/C	0.4030	8.86	
3/4	3.88	0.34	0.877	2.75	-	18	C	0.5690	10.24	
1	4.25	0.38	1.128	3.12	-	14	C	0.8450	11.83	
1 1/4	4.62	0.41	1.378	3.50	-	16	C	0.8650	13.84	
1 1/2	5.00	0.44	1.628	3.88	-	12	C	1.1400	13.68	
2	6.00	0.50	2.128	4.75	-	8	C	1.8375	14.70	
2 1/2	7.00	0.56	2.628	5.50	-	4	C	3.0125	12.05	
3	7.50	0.62	3.128	6.00	-	4	C	3.6125	14.45	
3 1/2	8.50	0.69	3.629	7.00	-	4	C	4.7400	18.96	
4	9.00	0.69	4.128	7.50	-	2	C	5.4940	10.99	
5	10.00	0.75	5.128	8.50	-	1	C	6.6490	6.65	
6	11.00	0.81	6.128	9.50	-	1	C	8.5500	8.55	



CAST BRONZE THREADED FITTINGS 150 LB.										
Size (inch)	Dimensions (inch)				Inner Box Pcs./Box	Master Ctn. Pcs./Ctn.	NO. of Inner Box	Weight/Pcs.	N.W./Ctn. (Kgs.)	
	A	B	C	D						
1/2	3.50	2.38	0.59	0.31	20	80	D4	0.3700	29.60	
3/4	3.88	2.75	0.62	0.34	15	60	D4	0.5267	31.60	
1	4.25	3.12	0.69	0.38	25	50	D2	0.6845	34.23	
1 1/4	4.62	3.50	0.81	0.41	-	35	C	0.8950	31.33	
1 1/2	5.00	3.88	0.88	0.44	15	30	D2	1.1717	35.15	
2	6.00	4.75	1.00	0.50	10	20	D2	1.7802	35.60	
2 1/2	7.00	5.50	1.12	0.56	5	10	D2	2.8360	28.36	
3	7.50	6.00	1.19	0.62	4	8	D2	3.3667	26.93	
4	9.00	7.50	1.31	0.69	3	6	D2	5.1500	30.90	
5	10.00	8.50	1.44	0.75	-	2	C	6.3900	12.78	
6	11.00	9.50	1.56	0.81	-	2	C	7.9360	15.87	

PACKING LISTS and SPECIFICATION STANDARD

C83600 5% Pb ( SA MARK ) CAST BRONZE THREADED FITTINGS 125 LB.

C89833 LEAD FREE ( LF SA MARK ) CAST BRONZE THREADED FITTINGS 125 LB.

ORDER CODE C = AMERICAN (NPT), E = BRITISH STANDARD (BSPT), G = GERMANY STANDARD (DIN)

(LF) CRCR,ERCR REDUCING CROSSES	Size (inch)	Dimensions (inch)		Inner Box Pcs./Box	Master Ctn. Pcs./Ctn.	NO. of Inner Box	Weight/Pcs.	N.W./Ctn. (Kgs.)
		A	B					
 	3/4 x 3/4 x 1/2 x 1/2	1.08	1.11	30	60	D2	0.2340	14.04

(LF) CRT,ERT REDUCING TEES	Size (inch)	Dimensions (inch)			Inner Box Pcs./Box	Master Ctn. Pcs./Ctn.	NO. of Inner Box	Weight/Pcs.	N.W./Ctn. (Kgs.)
		A	B	C					
	1/4 x 1/8	0.65	0.65	0.60	125	500	D4/C	0.0501	25.05
	3/8 x 1/8	0.81	0.81	0.85	-	300	C	0.0832	24.96
	3/8 x 1/4	0.75	0.75	0.78	125	250	D2/C	0.0880	22.00
	1/2 x 1/8	0.87	0.87	0.87	100	400	D4/C	0.1200	48.00
	1/2 x 1/4	0.87	0.87	0.87	75	150	D2/C	0.1263	18.95
	1/2 x 3/8	0.93	0.93	0.90	75	150	D2/C	0.1330	19.95
	3/4 x 1/8	1.05	1.05	1.08	-	125	C	0.1750	21.88
	3/4 x 1/4	1.05	1.05	1.08	-	125	C	0.1828	22.85
	3/4 x 3/8	1.00	1.00	1.00	55	110	D2/C	0.2100	23.10
	3/4 x 1/2	1.08	1.08	1.11	50	100	D2/C	0.2133	21.33
	1 x 1/4	1.04	1.04	1.13	40	80	D2/C	0.2572	20.58
	1 x 3/8	1.18	1.18	1.27	40	80	D2/C	0.2860	22.88
	1 x 1/2	1.20	1.20	1.24	-	80	C	0.3144	25.15
	1 x 3/4	1.30	1.30	1.31	-	70	C	0.3318	23.23
	1 1/4 x 3/8	1.45	1.45	1.62	-	40	C	0.3850	15.40
	1 1/4 x 1/2	1.34	1.34	1.53	-	40	C	0.4300	17.20
	1 1/4 x 3/4	1.30	1.30	1.31	-	40	C	0.4656	18.62
	1 1/4 x 1	1.58	1.58	1.67	-	35	C	0.5300	18.55
	1 1/2 x 1/2	1.32	1.32	1.53	-	40	C	0.5500	22.00
	1 1/2 x 3/4	1.42	1.42	1.60	-	30	C	0.6158	18.47
	1 1/2 x 1	1.55	1.55	1.72	-	30	C	0.6500	19.50
	1 1/2 x 1 1/4	1.72	1.72	1.81	-	25	C	0.6900	17.25
	2 x 1/2	1.49	1.49	1.88	10	20	D2/C	0.8500	17.00
	2 x 3/4	1.47	1.47	1.84	10	20	D2/C	0.8763	17.53
	2 x 1 (UL)	1.60	1.60	1.98	-	15	C	0.9808	14.71
	2 x 1 1/4	1.77	1.77	2.04	-	15	C	0.9999	15.00
	2 x 1 1/2	2.02	2.02	2.16	-	15	C	1.1000	16.50
	2 1/2 x 1	2.16	2.16	2.51	4	8	D2/C	1.5005	12.00
	2 1/2 x 1 1/4	2.16	2.16	2.51	-	8	C	1.5920	12.74
	2 1/2 x 1 1/2	2.39	2.39	2.60	-	8	C	1.5500	12.40
	2 1/2 x 2	2.52	2.52	2.89	-	8	C	2.0430	16.34
	3 x 2	2.83	2.83	2.99	3	6	D2/C	2.6000	15.60
	3 x 2 1/2	2.74	2.74	3.42	2	4	D2/C	2.5000	10.00
	4 x 2	3.05	3.05	3.51	1	2	D2/C	3.4500	6.90
	4 x 2 1/2	3.30	3.30	3.60	1	2	D2/C	4.4100	8.82
	4 x 3	3.30	3.30	3.60	1	2	D2/C	3.9000	7.80
	1/2 x 1/2 x 3/4	1.22	1.22	1.20	50	100	D2/C	0.1955	19.55
	3/4 x 1/2 x 1/2	1.20	1.12	1.22	50	100	D2/C	0.2080	20.80
	3/4 x 1/2 x 3/4	1.37	1.31	1.45	50	100	D2/C	0.2308	23.08
	3/4 x 3/4 x 1	1.22	1.22	1.20	-	70	C	0.3164	22.15
	1 x 1/2 x 1/2	1.31	1.22	1.31	-	70	C	0.2592	18.14
	1 x 1/2 x 3/4	1.45	1.45	1.37	-	70	C	0.2950	20.65
	1 x 1/2 x 1	1.26	1.12	1.36	-	70	C	0.3732	26.12
	1 x 3/4 x 1/2	1.26	1.20	1.36	-	70	C	0.2686	18.80
	1 x 3/4 x 3/4	1.37	1.31	1.45	-	70	C	0.3018	21.13
	1 x 3/4 x 1	1.50	1.45	1.50	-	70	C	0.4150	29.05
	1 x 1 x 1 1/4	1.67	1.67	1.58	15	30	D2/C	0.5413	16.24
	1 x 1 1/4 x 1	1.67	1.67	1.67	-	35	D2/C	0.4900	14.70
	1 1/4 x 1/2 x 1 1/4	1.69	1.40	1.69	-	40	C	0.5538	19.38
	1 1/4 x 3/4 x 1/2	1.45	1.31	1.62	5	10	C	0.3700	3.70
	1 1/4 x 3/4 x 1	1.58	1.45	1.67	-	45	C	0.4990	19.96
	1 1/4 x 3/4 x 1 1/4	1.75	1.62	1.75	-	35	C	0.5513	19.30
	1 1/4 x 1 x 1	1.58	1.50	1.67	12	35	D2/C	0.4490	10.78
	1 1/4 x 1 x 1 1/4	1.75	1.67	1.75	-	35	C	0.4400	15.40
	1 1/2 x 1/2 x 1 1/2	1.94	1.66	1.94	-	40	C	0.7160	17.90
	1 1/2 x 1 1/4 x 1 1/4	1.82	1.82	1.88	-	25	C	0.8400	21.00
	1 1/2 x 1 1/4 x 1 1/2	1.94	1.88	1.94	-	25	C	0.7870	15.74
	2 x 1/2 x 2	2.25	1.88	2.25	5	10	C	1.0400	10.40
	2 x 3/4 x 2	2.25	1.97	2.25	5	10	C	1.1250	11.25

PACKING LISTS and SPECIFICATION STANDARD

C83600 5% Pb ( SA MARK ) CAST BRONZE THREADED FITTINGS 125 LB.

C89833 LEAD FREE ( LF SA MARK ) CAST BRONZE THREADED FITTINGS 125 LB.

ORDER CODE C = AMERICAN (NPT), E = BRITISH STANDARD (BSPT), G = GERMANY STANDARD (DIN)

(LF) CRS,ERS REDUCING TEES	Size (inch)	Dimensions (inch)			Inner Box Pcs./Box	Master Ctn. Pcs./Ctn.	NO. of Inner Box	Weight/Pcs.	N.W./Ctn. (Kgs.)
		A (Min)	B (Min)	C					
	1/4 x 1/8	0.67	0.81	-	200	800	D4	0.0340	27.20
	3/8 x 1/8	0.67	1.00	0.92	150	600	D4	0.0453	27.18
	3/8 x 1/4	0.81	1.00	0.92	225	450	D2	0.0480	21.60
	1/2 x 1/8	0.67	1.17	1.17	100	400	D4	0.0680	27.20
	1/2 x 1/4	0.81	1.17	1.17	175	350	D2	0.0764	26.74
	1/2 x 3/8	1.00	1.17	1.17	75	300	D4	0.0698	20.94
	3/4 x 1/4	0.81	1.42	1.35	-	225	C	0.1065	23.96
	3/4 x 3/8	1.00	1.42	1.35	50	200	D4	0.1075	21.50
	3/4 x 1/2	1.17	1.42	1.35	-	175	C	0.1251	21.89
	1 x 1/4	0.81	1.72	1.56	-	125	C	0.1650	20.63
	1 x 3/8	1.00	1.72	1.56	-	125	C	0.1840	23.00
	1 x 1/2	1.17	1.72	1.56	25	100	D4	0.1740	17.40
	1 x 3/4	1.42	1.72	1.56	25	100	D4	0.1778	17.78
	1 1/4 x 1/2	1.17	2.10	1.77	-	90	C	0.2500	22.50
	1 1/4 x 3/4	1.42	2.10	1.77	-	90	C	0.2572	23.15
	1 1/4 x 1	1.72	2.10	1.77	-	70	C	0.2832	19.82
	1 1/2 x 1/2	1.17	2.38	1.80	-	70	C	0.3520	24.64
	1 1/2 x 3/4	1.42	2.38	1.80	-	70	C	0.3304	23.13
	1 1/2 x 1	1.72	2.38	1.80	-	70	C	0.3407	23.85
	1 1/2 x 1 1/4	2.10	2.38	1.80	-	60	C	0.3771	22.63
	2 x 1/2	1.17	2.92	2.03	-	50	C	0.5250	26.25
	2 x 3/4	1.42	2.92	2.03	-	30	C	0.4917	14.75
	2 x 1	1.72	2.92	2.03	-	30	C	0.5167	15.50
	2 x 1 1/4	2.10	2.92	2.03	-	30	C	0.5242	15.73
	2 x 1 1/2	2.38	2.92	2.03	-	40	C	0.5700	22.80
	2 1/2 x 1	1.72	3.49	3.15	-	25	C	0.9100	22.75
	2 1/2 x 1 1/4	2.10	3.49	3.15	-	20	C	0.9200	18.40
	2 1/2 x 1 1/2	2.38	3.49	3.15	-	20	C	1.1599	23.20
	2 1/2 x 2	2.92	3.49	3.15	-	16	C	1.1000	17.60
	3 x 2	2.92	4.20	3.69	-	12	C	1.6500	19.80
	3 x 2 1/2	3.49	4.20	3.69	-	12	C	1.7900	21.48
	4 x 3	4.20	5.31	4.38	-	4	C	2.8420	11.37
	* 3 x 1	1.72	4.20	3.69	-	16	C	1.0100	16.16
	* 3 x 1 1/2	2.92	4.20	3.69	-	16	C	1.0700	17.12
	* 4 x 2	2.92	5.31	4.38	-	6	C	2.6333	15.80

(LF) CFBU,EFBU FACE BUSHINGS	Size (inch)	Dimensions (inch.)	Inner Box Pcs./Box	Master Ctn. Pcs./Ctn.	NO. of Inner Box	Weight/Pcs.	N.W./Ctn. (Kgs.)
		A					
	1 x 1/2	0.75		200	C	0.0770	15.40
	1 x 3/4	0.75		200	C	0.0468	9.36

SIAM FITTINGS COMPANY LIMITED ( BRONZE DIVISION)

# MANUFACTURER AND EXPORTER

BRONZE FITTINGS & MALLEABLE IRON FITTINGS

**TRADE MARK**

“**SF**”

**บริษัท สยามฟิตติ้งส์ จำกัด (แปนกลบรอนซ์)**

100/1 หมู่2 ถนนเศรษฐกิจ1 ตำบลอ้อมน้อย อำเภอกระทุ่มแบน จังหวัดสมุทรสาคร 74130  
100/1 Moo. 2, Settakit 1 Rd., T.Omnoi, A.Krathumban, Samutsakorn 74130, Thailand.

Tel. : +662 810 0832-5, +662 429 1029, Fax. : +662 429 1538

E-mail : [bronzes@sf.co.th](mailto:bronzes@sf.co.th), [sale@sf.co.th](mailto:sale@sf.co.th)

Website : [www.siamfittings.th.com](http://www.siamfittings.th.com), [siamfittingsbronze.brandexdirectory.com](http://siamfittingsbronze.brandexdirectory.com)



Assessed by  
Raad voor  
Accreditatie